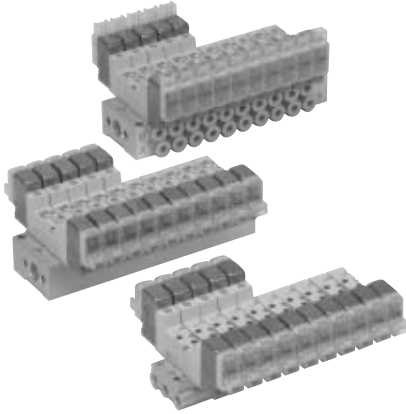


Series SYJ3000 Manifold Specifications

Manifold Standard



Manifold Specifications

Model		Type 20	Type 31, S31	Type 32, S32	Type 41, S41	Type 46, S46
Manifold type		Single base/B mount				
P (SUP), R (EXH)		Common SUP/Common EXH				Common SUP Individual EXH
Valve stations		2 to 20 stations				
A, B port Porting specifications	Location	Valve	Base			
	Direction	Top	Side			
Port size	P, R port	M5 x 0.8		1/8		P: 1/8 R: M5 x 0.8
	A, B port	M3 x 0.5		M5 x 0.8, C4 (One-touch fitting for ø4)		

Flow Characteristics

Manifold			Port size		Flow characteristics						Effective area (mm ²)
					1→4/2 (P→A/B)			4/2→5/3 (A/B→R)			
Body ported for internal pilot			1(P), 5/3(R) port	2(B), 4(A) port	C [dm ³ /(s·bar)]	b	Cv	C [dm ³ /(s·bar)]	b	Cv	
	SS5YJ3-20	SYJ3□2□	M5 x 0.8	M3 x 0.5	—	—	—	—	—	—	0.9
	SS5YJ3- ³¹ _{S31}	SYJ3□3□	M5 x 0.8	M3 x 0.5	—	—	—	—	—	—	0.9
Base mounted for internal pilot	SS5YJ3-32-M5	SYJ3□3□	1/8	M5 x 0.8	0.25	0.19	0.060	0.32	0.25	0.077	—
	SS5YJ3-32-C4			C4	0.25	0.18	0.059	0.30	0.27	0.075	—
	SS5YJ3-S32-M5			M5 x 0.8	0.25	0.26	0.060	0.29	0.15	0.062	—
	SS5YJ3-S32-C4	C4	0.24	0.21	0.057	0.27	0.18	0.062	—		
	SS5YJ3-41-M5	SYJ3□4□	1/8	M5 x 0.8	0.32	0.25	0.081	0.33	0.19	0.079	—
	SS5YJ3-41-C4			C4	0.32	0.28	0.079	0.35	0.24	0.084	—
	SS5YJ3-S41-M5			M5 x 0.8	0.33	0.29	0.082	0.34	0.17	0.081	—
	SS5YJ3-S41-C4	C4	0.32	0.27	0.079	0.34	0.24	0.084	—		
	SS5YJ3-46-M5	SYJ3□4□	1/8	M5 x 0.8	0.20	0.25	0.048	0.10	0.12	0.024	—
	SS5YJ3-46-C4			C4	0.21	0.27	0.050	0.21	0.13	0.047	—
	SS5YJ3-S46-M5			M5 x 0.8	0.20	0.25	0.048	0.19	0.16	0.024	—
	SS5YJ3-S46-C4	C4	0.22	0.34	0.057	0.10	0.090	0.024	—		



Note) Value at manifold base mounted, 2 position single operating

How to Order Manifold (Example)

Instruct by specifying the valves and blanking plate assembly to be mounted on the manifold along with the manifold base model no.

Example:

- SS5YJ3-20-03 1 set (Manifold base)
- SS5YJ3-S41-03-C4 ... 1 set (Manifold base)
- * SYJ3120-5G-M3 ... 2 sets (Valve)
- * SYJ3140-5LZ 2 sets (Valve)
- * SYJ3000-21-1A 1 set (Blanking plate assembly)
- * SYJ3000-21-2A 1 set (Blanking plate assembly)

↳ The asterisk denotes the symbol for assembly. Prefix it to the part nos. of the solenoid valve, etc.

* Use manifold specification sheet.

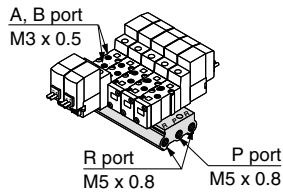
Series SYJ3000

Common SUP/Common EXH



Note) For more than 10 stations, supply air to both sides of P port and exhaust air from both sides of R port.

Type 20 (5 Port/Body ported)



How to Order

SS5YJ3-20-05

Number of stations

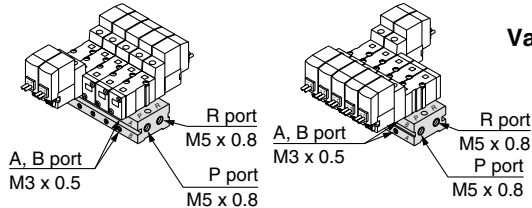
02	2 stations
:	:
20	20 stations

Applicable solenoid valve
SYJ3□20-□□□□-M3
SYJ3□23-□□□□-M3

Applicable blanking plate assembly
SYJ3000-21-1A

Type 31 (4 Port/Base mounted)

Type 31 Type S31 (Single solenoid coil is on same side as the A, B port.)



How to Order

SS5YJ3-31-05-M3

Valve mounting direction

Nil	Single solenoid coil is on opposite side as the A, B port.
S	Single solenoid coil is on same side as the A, B port.

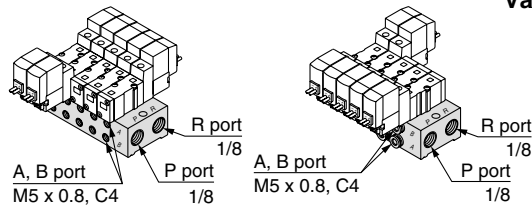
Stations

02	2 stations
:	:
20	20 stations

Applicable solenoid valve
SYJ3□30-□□□□
SYJ3□33-□□□□

Type 32 (4 Port/Base mounted)

Type 32 Type S32 (Single solenoid coil is on same side as the A, B port.)



How to Order

SS5YJ3-32-05-M5

Valve mounting direction

Nil	Single solenoid coil is on opposite side as the A, B port.
S	Single solenoid coil is on same side as the A, B port.

Stations

02	2 stations
:	:
20	20 stations

A, B port size

M5	M5 x 0.8
C4	One-touch fitting for ø4
N3	One-touch fitting for ø5/32"

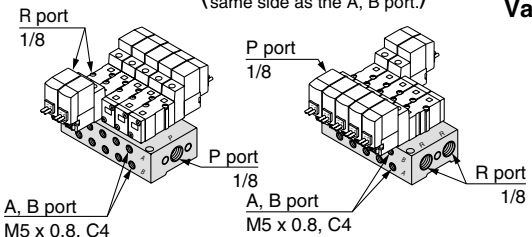
Applicable blanking plate assembly
SYJ3000-21-2A

P, R port thread type

Nil	Rc
F	G
N	NPT
T	NPTF

Type 41 (5 Port/Base mounted)

Type 41 Type S41 (Single solenoid coil is on same side as the A, B port.)



How to Order

SS5YJ3-41-05-C4

Valve mounting direction

Nil	Single solenoid coil is on opposite side as the A, B port.
S	Single solenoid coil is on same side as the A, B port.

Stations

02	2 stations
:	:
20	20 stations

A, B port size

M5	M5 x 0.8
C4	One-touch fitting for ø4
N3	One-touch fitting for ø5/32"

Applicable solenoid valve
SYJ3□40-□□□□
SYJ3□43-□□□□

Applicable blanking plate assembly
SYJ3000-21-2A

P, R port thread type

Nil	Rc
F	G
N	NPT
T	NPTF

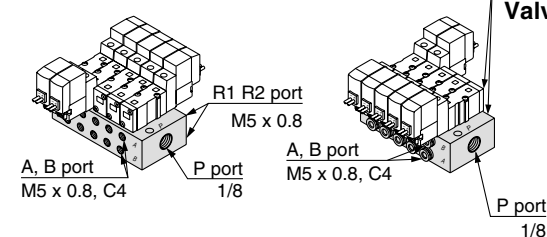
Common SUP/Individual EXH type



Note) For more than 10 stations, supply air to both sides of P port.

Type 46 (5 Port/Base mounted)

Type 46 Type S46 (Single solenoid coil is on same side as the A, B port.)



How to Order

SS5YJ3-46-05-M5

Valve mounting direction

Nil	Single solenoid coil is on opposite side as the A, B port.
S	Single solenoid coil is on same side as the A, B port.

Stations

02	2 stations
:	:
20	20 stations

A, B port size

M5	M5 x 0.8
C4	One-touch fitting for ø4
N3	One-touch fitting for ø5/32"

Applicable solenoid valve
SYJ3□40-□□□□
SYJ3□43-□□□□

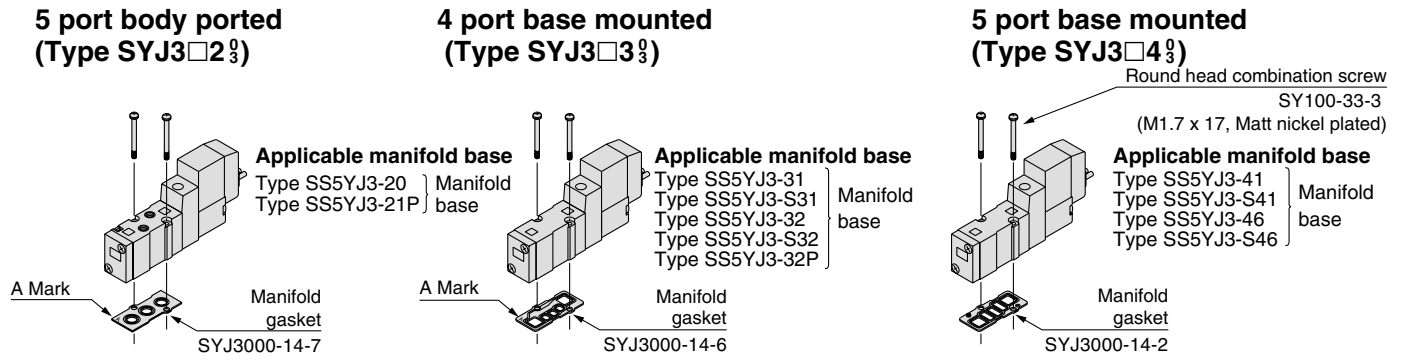
Applicable blanking plate assembly
SYJ3000-21-2A

P port thread type

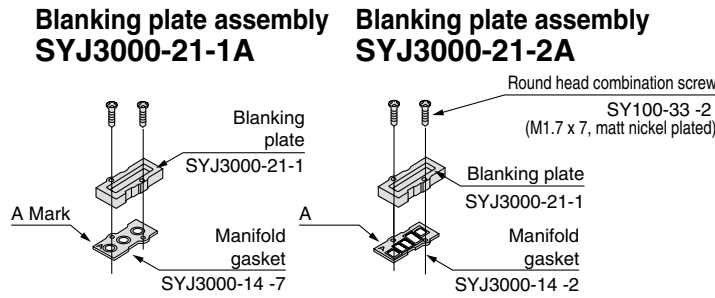
Nil	Rc
F	G
N	NPT
T	NPTF

Series SYJ3000

Combinations of Solenoid Valve, Manifold Gasket and Manifold Base



Combination of Blanking Plate Assembly and Manifold Base



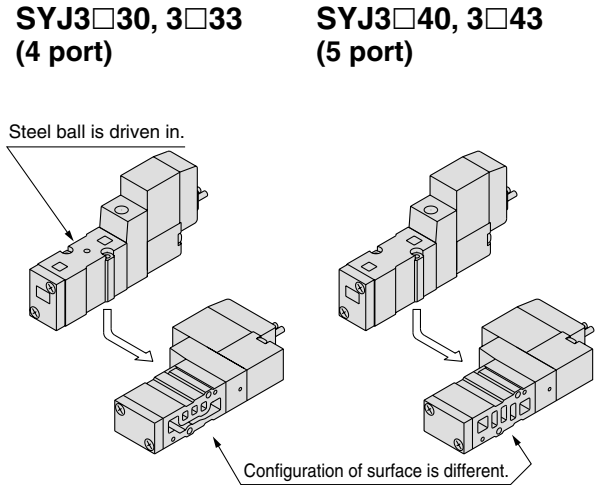
Applicable manifold base
Type SS5YJ3-20 Manifold base

Applicable manifold base
Sub-plate
Type SS5YJ3-41 } Manifold base
Type SS5YJ3-S41 }
Type SS5YJ3-46 }
Type SS5YJ3-S46 }
Type SS5YJ3-31 }
Type SS5YJ3-S31 }
Type SS5YJ3-32 }
Type SS5YJ3-S32 }

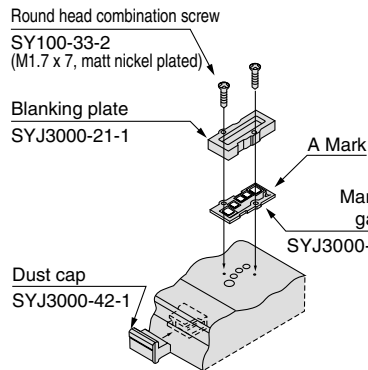
Note) Manifold gasket "SYJ3000-14-2" can be used with the following manifold bases.

Manifold base of {
Type SS5YJ3-31
Type -S31
Type -32
Type -S32

Difference between SYJ3□3₃⁰ and SYJ3□4₃⁰

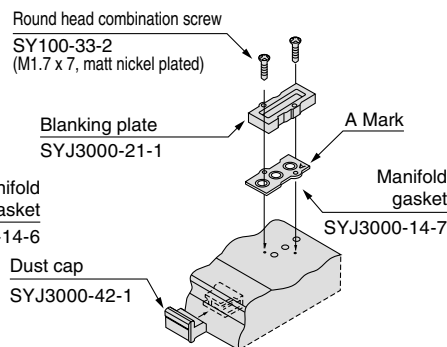


Blanking plate assembly SYJ3000-21-4A



Applicable manifold base
Type SS5YJ3-32P
Manifold base

Blanking plate assembly SYJ3000-21-3A



Applicable manifold base
Type SS5YJ3-21P
Manifold base

Caution

Mounting screw tightening torques

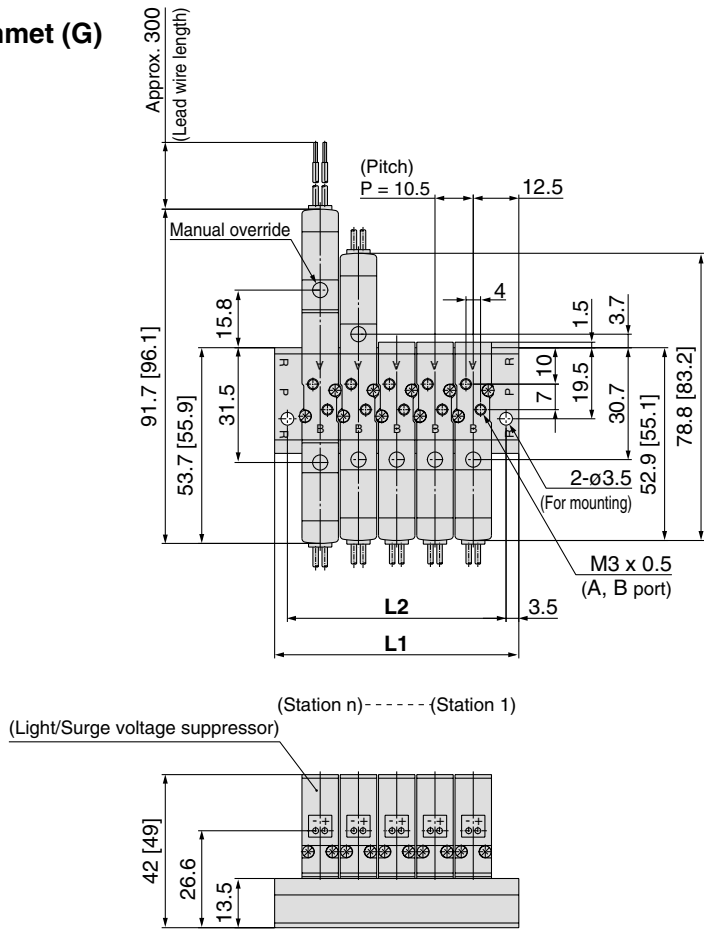
M1.7: 0.12 N·m

Use caution to the assembly orientation for solenoid valves, gasket, and optional parts.

Type 20 Manifold: Top Ported/SS5YJ3-20- Stations

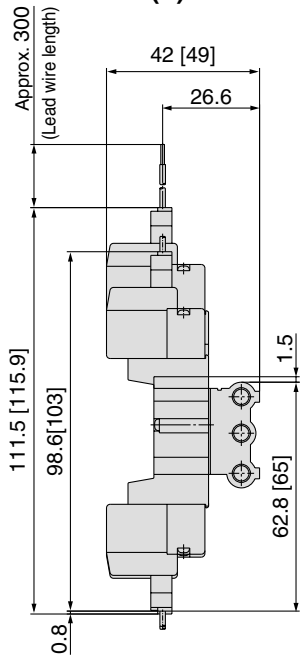


Grommet (G)

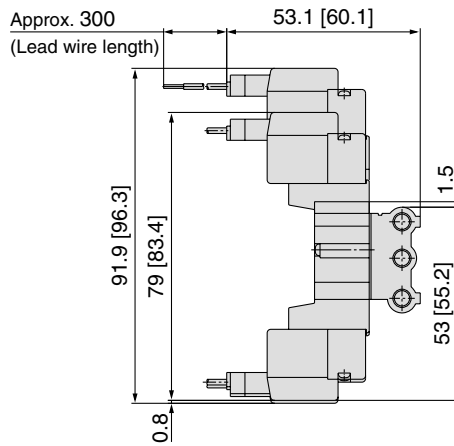


- SV
- SZ
- SY
- SYJ**
- SX

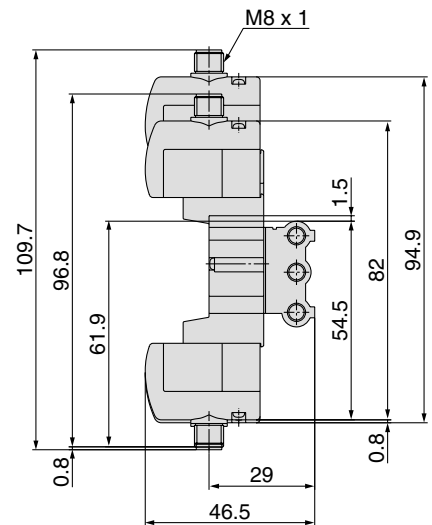
L plug connector (L)



M plug connector (M)



M8 connector (WO)



Refer to page 1-5-79 for dimensions with connector cable.

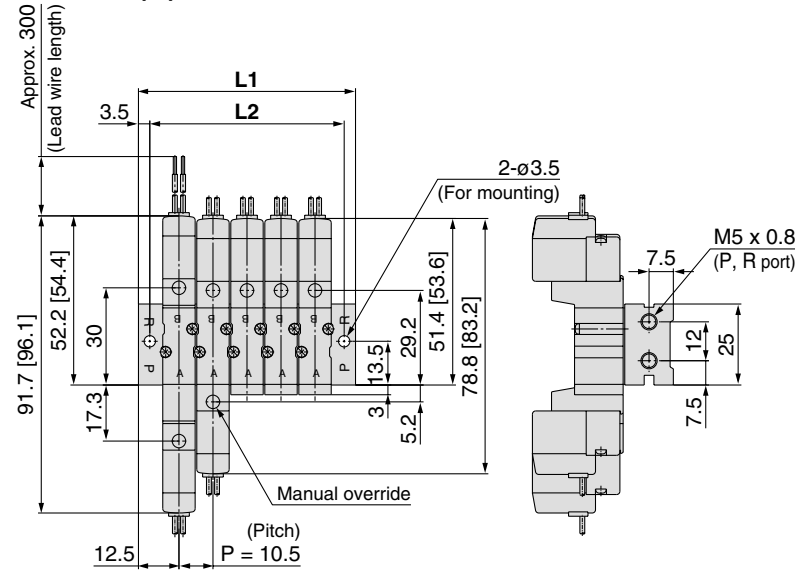
Station n	Station 2	3	4	5	6	7	8	9	10	11	12	13	14	15	16	17	18	19	Station 20
L1	35.5	46	56.5	67	77.5	88	98.5	109	119.5	130	140.5	151	161.5	172	182.5	193	203.5	214	224.5
L2	28.5	39	49.5	60	70.5	81	91.5	102	112.5	123	133.5	144	154.5	165	175.5	186	196.5	207	217.5

Series SYJ3000

Type 31 Manifold: Side Ported/SS5YJ3-31- Stations -M3

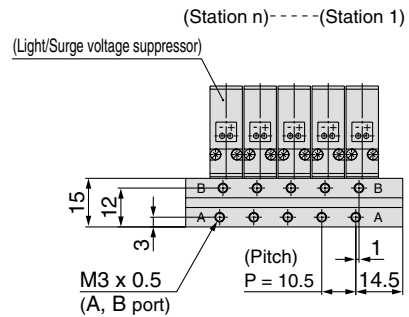
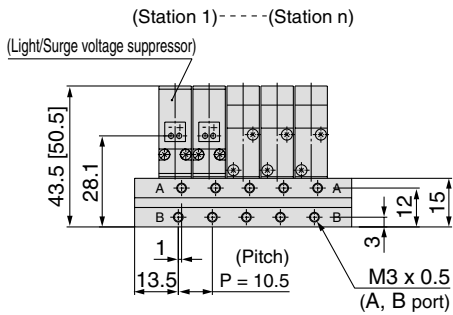
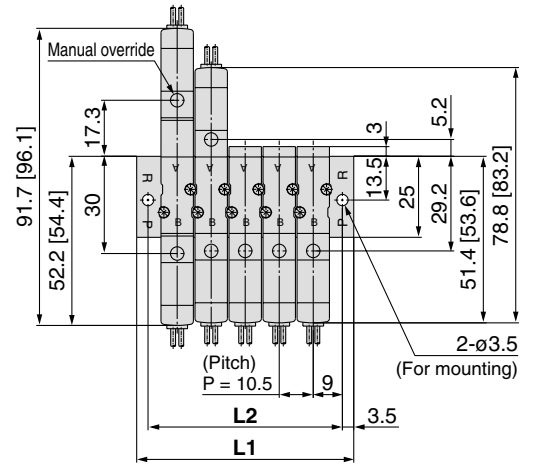


Grommet (G)

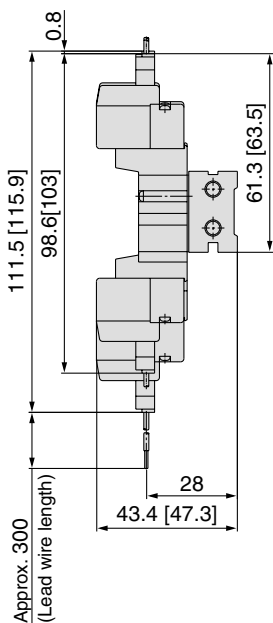


Type S31 Manifold: Side Ported SS5YJ3-S31- Stations -M3

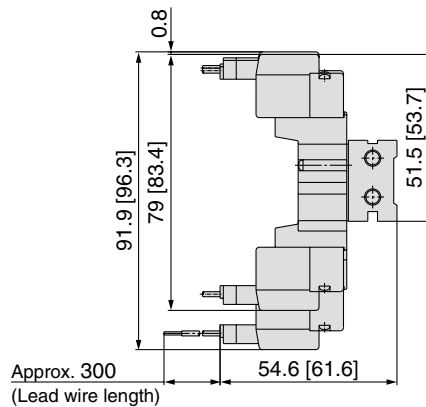
(Single solenoid coil is on same side as the A,B port.)



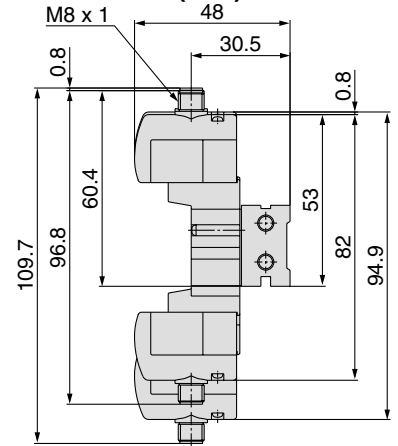
L plug connector (L)



M plug connector (M)



M8 connector (WO)



Refer to page 1-5-79 for dimensions with connector cable.

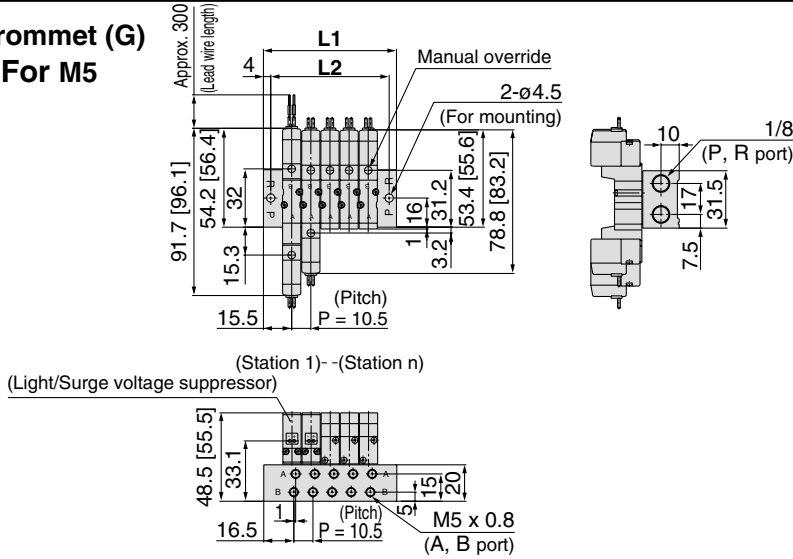
Station n	Station 2	3	4	5	6	7	8	9	10	11	12	13	14	15	16	17	18	19	Station 20
L1	35.5	46	56.5	67	77.5	88	98.5	109	119.5	130	140.5	151	161.5	172	182.5	193	203.5	214	224.5
L2	28.5	39	49.5	60	70.5	81	91.5	102	112.5	123	133.5	144	154.5	165	175.5	186	196.5	207	217.5

4/5 Port Solenoid Valve Rubber Seal Series SYJ3000

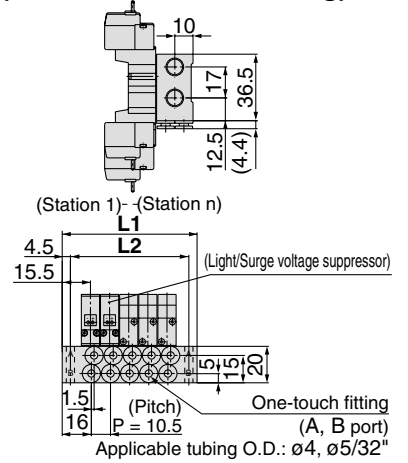
Type 32 Manifold: Side Ported/SS5YJ3-32- Stations -M5, C4 N3



Grommet (G) For M5

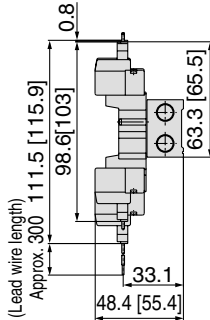


For C4 N3 (Built-in One-touch fitting)

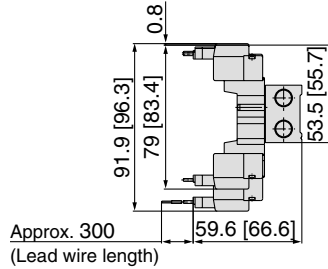


- SV
- SZ
- SY
- SYJ
- SX

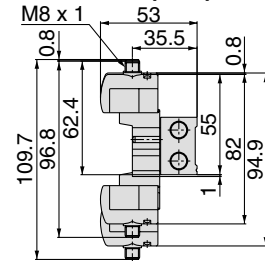
L plug connector (L)



M plug connector (M)



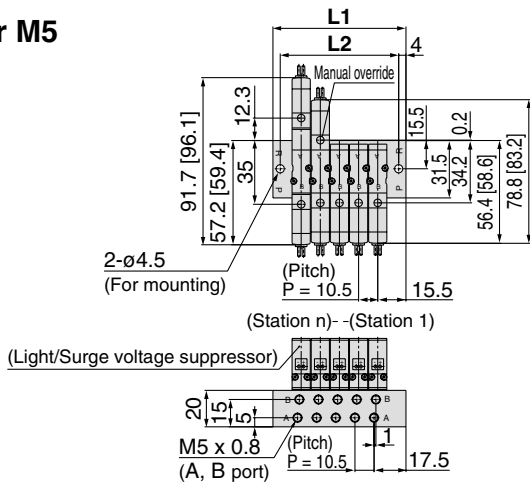
M8 connector (WO)



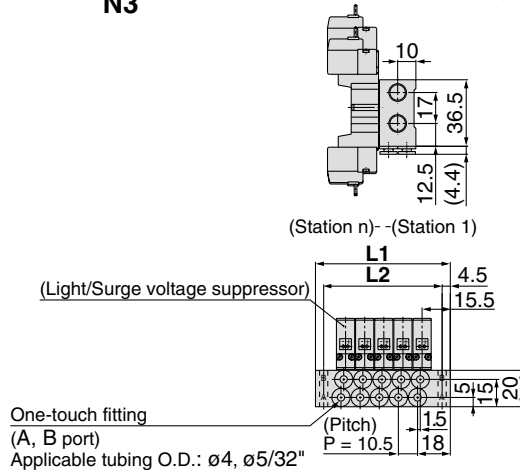
Refer to page 1-5-79 for dimensions with connector cable.

Type S32 Manifold: Side Ported (Single solenoid coil is on same side as the A, B port.) /SS5YJ3-S32- Stations -M5, C4 N3

For M5



For C4 N3 (Built-in One-touch fitting)



SS5YJ3-32, S32- Stations -M5

Station n	Station 2	3	4	5	6	7	8	9	10	11	12	13	14	15	16	17	18	19	Station 20
L1	41.5	52	62.5	73	83.5	94	104.5	115	125.5	136	146.5	157	167.5	178	188.5	199	209.5	220	230.5
L2	33.5	44	54.5	65	75.5	86	96.5	107	117.5	128	138.5	149	159.5	170	180.5	191	201.5	212	222.5

SS5YJ3-32, S32- Stations -C4

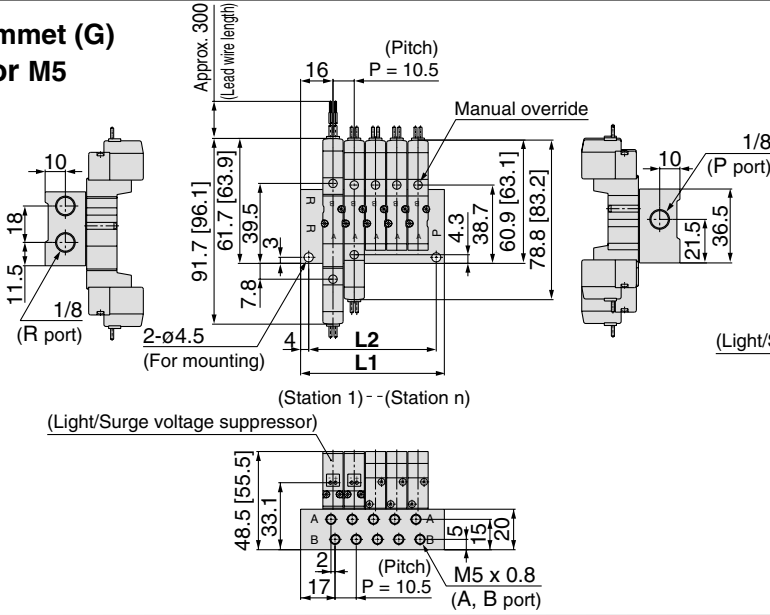
Station n	Station 2	3	4	5	6	7	8	9	10	11	12	13	14	15	16	17	18	19	Station 20
L1	42.5	53	63.5	74	84.5	95	105.5	116	126.5	137	147.5	158	168.5	179	189.5	200	210.5	221	231.5
L2	33.5	44	54.5	65	75.5	86	96.5	107	117.5	128	138.5	149	159.5	170	180.5	191	201.5	212	222.5

Series SYJ3000

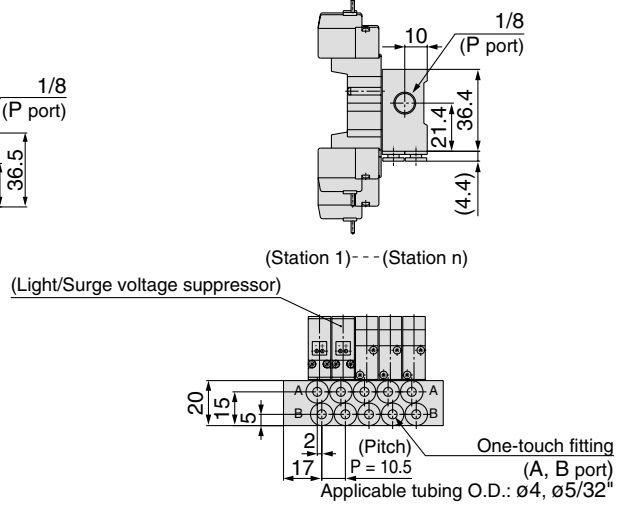
Type 41 Manifold: Side Ported/SS5YJ3-41- Stations -M5, C4 N3



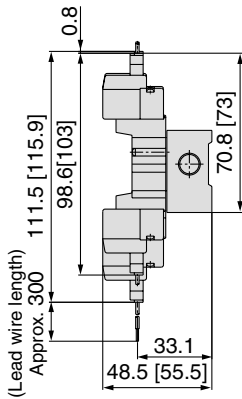
Grommet (G) For M5



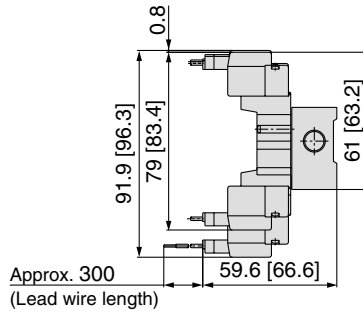
For C4 N3 (Built-in One-touch fitting)



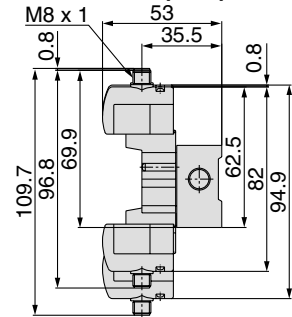
L plug connector (L)



M plug connector (M)



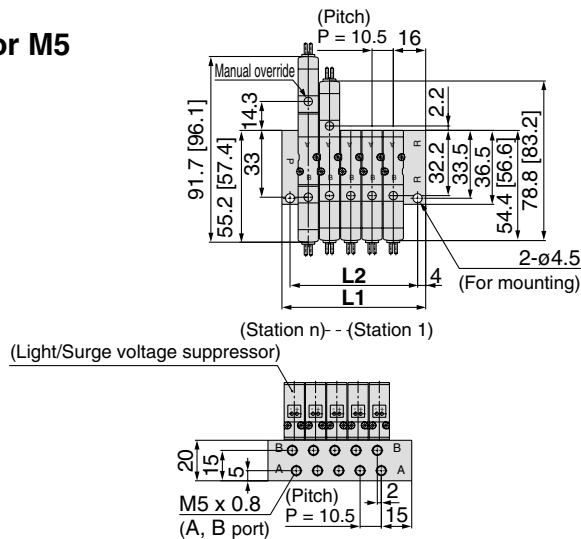
M8 connector (WO)



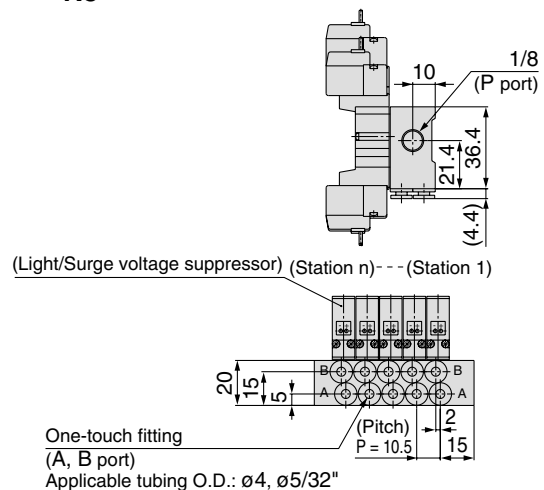
Refer to page 1-5-79 for dimensions with connector cable.

Type S41 Manifold: Side Ported (Single solenoid coil is on same side as the A,B port) /SS5YJ3-S41- Stations -M5, C4 N3

For M5



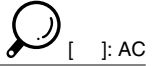
For C4 N3 (Built-in One-touch fitting)



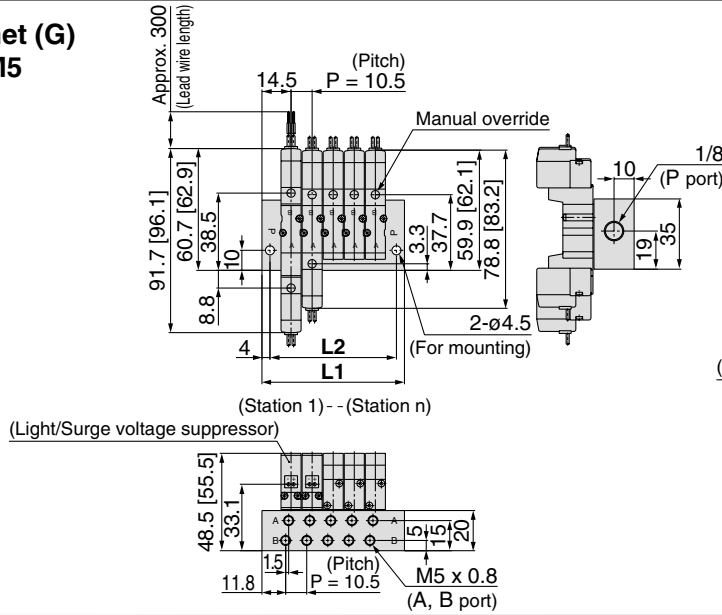
Station n	Station 2	3	4	5	6	7	8	9	10	11	12	13	14	15	16	17	18	19	Station 20
L1	39.5	50	60.5	71	81.5	92	102.5	113	123.5	134	144.5	155	165.5	176	186.5	197	207.5	218	228.5
L2	31.5	42	52.5	63	73.5	84	94.5	105	115.5	126	136.5	147	157.5	168	178.5	189	199.5	210	220.5

4/5 Port Solenoid Valve Rubber Seal Series SYJ3000

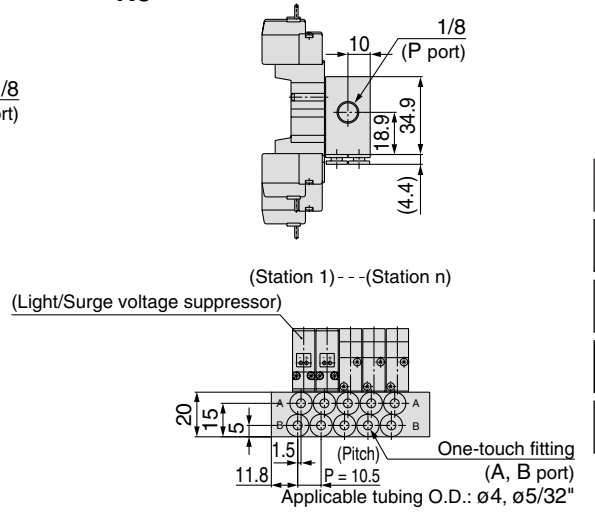
Type 46 Manifold: Side Ported/SS5YJ3-46- Stations -M5, C4 N3



Grommet (G) For M5



For C4 N3 (Built-in One-touch fitting)



SV

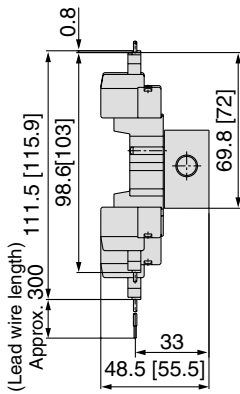
SZ

SY

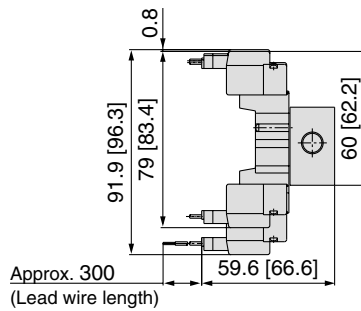
SYJ

SX

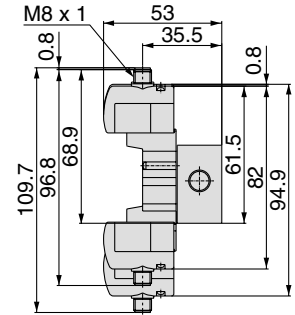
L plug connector (L)



M plug connector (M)



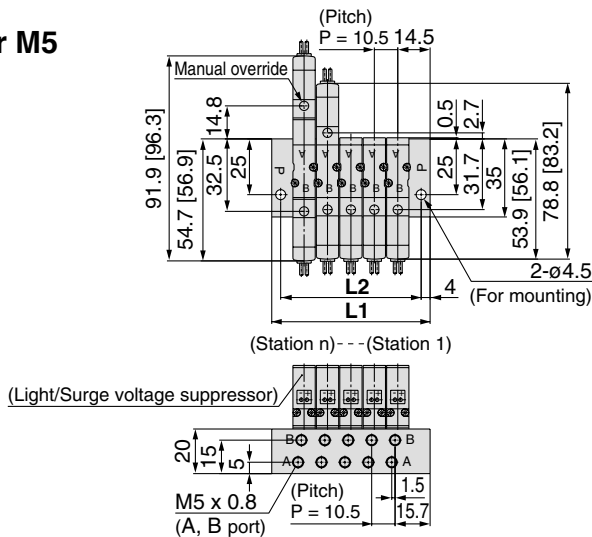
M8 connector (WO)



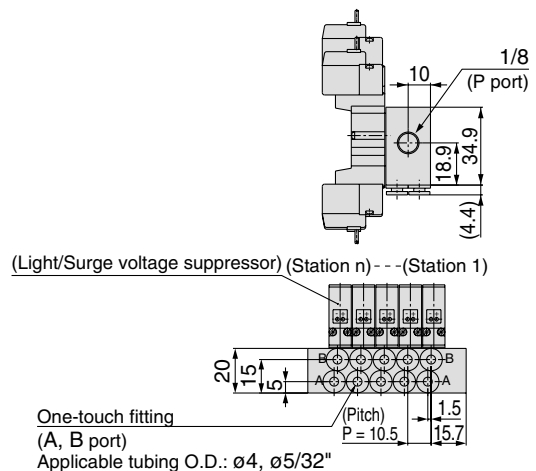
Refer to page 1-5-79 for dimensions with connector cable.

Type S46 Manifold: Side Ported (Single solenoid coil is on same side as the A, B port.) /SS5YJ3-S46- Stations -M5, C4 N3

For M5



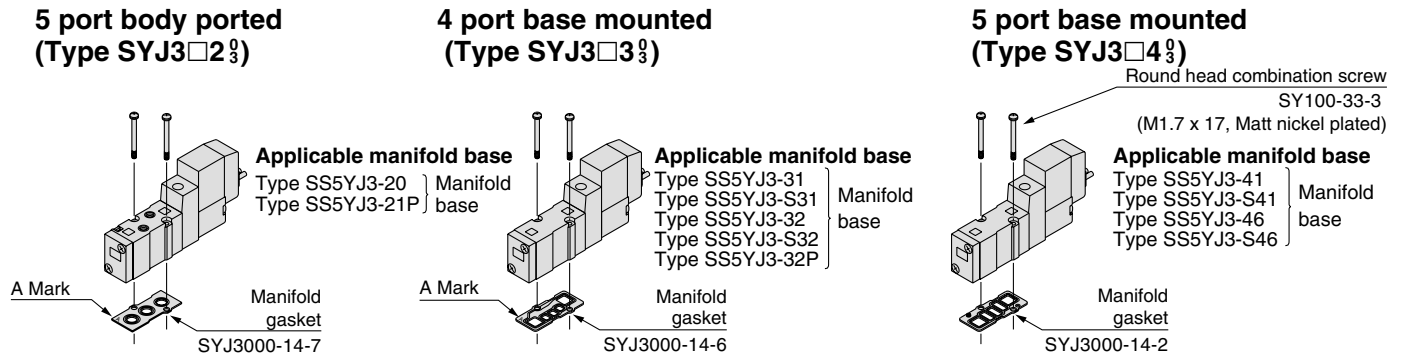
For C4 N3 (Built-in One-touch fitting)



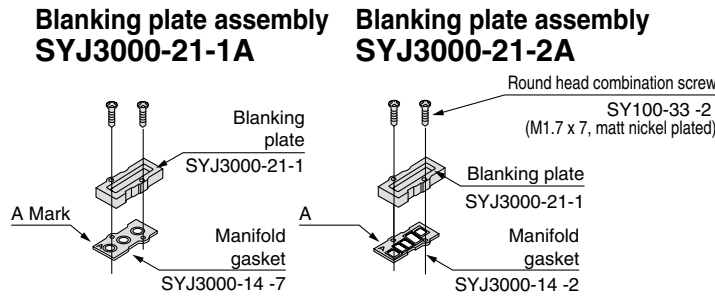
Station n	Station 2	3	4	5	6	7	8	9	10	11	12	13	14	15	16	17	18	19	Station 20
L1	39.5	50	60.5	71	81.5	92	102.5	113	123.5	134	144.5	155	165.5	176	186.5	197	207.5	218	228.5
L2	31.5	42	52.5	63	73.5	84	94.5	105	115.5	126	136.5	147	157.5	168	178.5	189	199.5	210	220.5

Series SYJ3000

Combinations of Solenoid Valve, Manifold Gasket and Manifold Base



Combination of Blanking Plate Assembly and Manifold Base



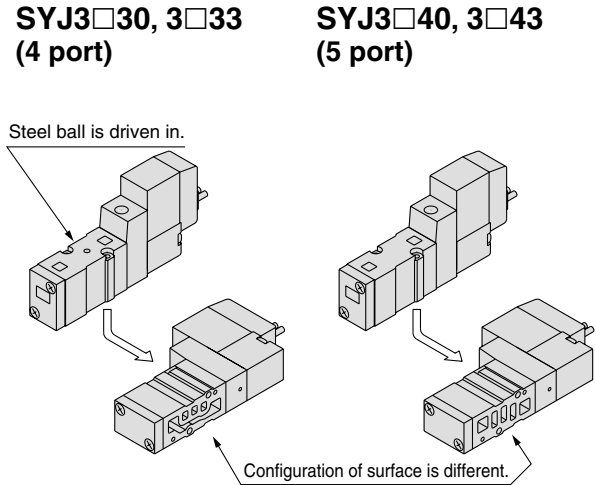
Applicable manifold base
Type SS5YJ3-20 Manifold base

Applicable manifold base
Sub-plate
Type SS5YJ3-41 } Manifold base
Type SS5YJ3-S41 }
Type SS5YJ3-46 }
Type SS5YJ3-S46 }
Type SS5YJ3-31 }
Type SS5YJ3-S31 }
Type SS5YJ3-32 }
Type SS5YJ3-S32 }

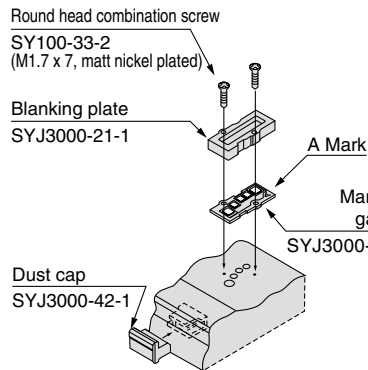
Note) Manifold gasket "SYJ3000-14-2" can be used with the following manifold bases.

Manifold base of {
Type SS5YJ3-31
Type -S31
Type -32
Type -S32

Difference between SYJ3□3₃⁰ and SYJ3□4₃⁰

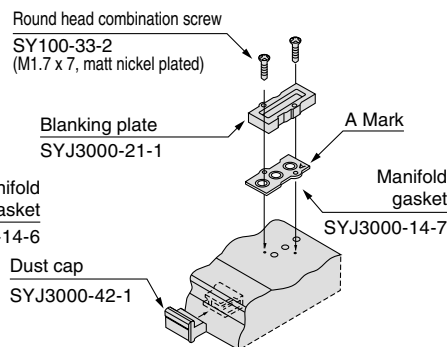


Blanking plate assembly SYJ3000-21-4A



Applicable manifold base
Type SS5YJ3-32P
Manifold base

Blanking plate assembly SYJ3000-21-3A



Applicable manifold base
Type SS5YJ3-21P
Manifold base

Caution

Mounting screw tightening torques

M1.7: 0.12 N·m

Use caution to the assembly orientation for solenoid valves, gasket, and optional parts.

Series SYJ5000 Manifold Specifications

Manifold Standard



Manifold Specifications

Model		Type 20	Type 40	Type 41	Type 42	Type 43
Manifold type		Single base/B mount				
P (SUP), R (EXH)		Common SUP, Common EXH				
Valve stations		2 to 20 stations				
A, B port Porting specifications	Location	Valve	Base	Base		
	Direction	Top	Bottom	Side		
Port size	P, R port	1/8			1/4	1/8
	A, B port	M5 x 0.8, C4 (One-touch fitting for ø4) C6 (One-touch fitting for ø6)	M5 x 0.8		1/8, C6 (One-touch fitting for ø6)	C4 (One-touch fitting for ø4)

SV

SZ

SY

SYJ

SX

Flow Characteristics

Manifold			Port size		Flow characteristics					
					1→4/2 (P→A/B)			4/2→5/3 (A/B→R)		
			1(P), 5/3(R) Port	2(B), 4(A) Port	C [dm ³ /(s·bar)]	b	Cv	C [dm ³ /(s·bar)]	b	Cv
Body ported for internal pilot	SS5YJ5-20	SYJ5□2□	1/8	M5 x 0.8	0.46	0.39	0.12	0.75	0.32	0.19
			1/8	C4	0.62	0.33	0.16	0.83	0.27	0.20
			1/8	C6	0.79	0.36	0.21	0.91	0.36	0.24
Base mounted for internal pilot	SS5YJ5-40 SS5YJ5-41 SS5YJ5-42-01 SS5YJ5-42-C6 SS5YJ5-43	SYJ5□4□	1/8	M5 x 0.8	0.55	0.35	0.15	0.64	0.26	0.16
			1/8	M5 x 0.8	0.59	0.35	0.16	0.68	0.23	0.17
			1/4	1/8	0.74	0.22	0.18	0.82	0.31	0.21
			1/4	C6	0.71	0.24	0.17	0.8	0.29	0.20
			1/8	C4	0.55	0.29	0.14	0.74	0.32	0.19



Note) Value at manifold base mounted, 2 position single operating

How to Order Manifold (Example)

Instruct by specifying the valves and blanking plate assembly to be mounted on the manifold along with the manifold base model no.

Example: **SS5YJ5-20-03** 1 pc. (Manifold base)

* **SYJ5120-5G-M5** 2 pcs. (Valve)

* **SYJ5000-21-1A** 1 pc. (Blanking plate assembly)

SS5YJ5-43-03-C4 1 pc. (Manifold base)

* **SYJ5140-5LZ** 1 pc. (Valve)

* **SYJ5240-5LZ** 1 pc. (Valve)

* **SYJ5000-21-1A** 1 pc. (Blanking plate assembly)

↳ The asterisk denotes the symbol for assembly. Prefix it to the part nos. of the solenoid valve, etc.

* Use manifold specification sheet.

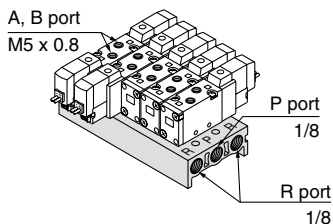
5 Port Solenoid Valve Rubber Seal Series SYJ5000

Common SUP/Common EXH



Note) For more than 8 stations, supply air to both sides of P port and exhaust air from both sides of R port.

Type 20 (5 Port/Body ported)



How to Order

SS5YJ5-20-05-□

Number of stations

02	2 stations
:	:
20	20 stations

P, R port thread type

Nil	Rc
00F	G
00N	NPT
00T	NPTF

Applicable solenoid valve

SYJ5□20-□□□□-^{M5}
SYJ5□23-□□□□-^{M5}
^{C4}
^{C6}

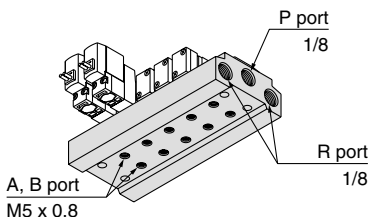
Applicable blanking plate assembly

SYJ5000-21-1A

Applicable individual EXH spacer assembly

SYJ5000-17-1A

Type 40 (5 Port/Base mounted)



How to Order

SS5YJ5-40-05-M5-□

Stations

02	2 stations
:	:
20	20 stations

P, R port thread type

Nil	Rc
F	G
N	NPT
T	NPTF

A, B port size

M5	M5 x 0.8
----	----------

Applicable solenoid valve

SYJ5□40-□□□□
SYJ5□43-□□□□
SYJ5□50-□□□□
SYJ5□53-□□□□

Applicable blanking plate assembly

SYJ5000-21-1A

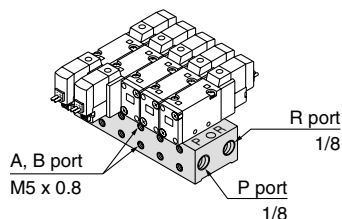
Applicable individual EXH spacer assembly

SYJ5000-17-1A

Applicable individual SUP spacer assembly

ARBYJ5000-00-P

Type 41 (5 Port/Base mounted)



How to Order

SS5YJ5-41-05-M5-□

Stations

02	2 stations
:	:
20	20 stations

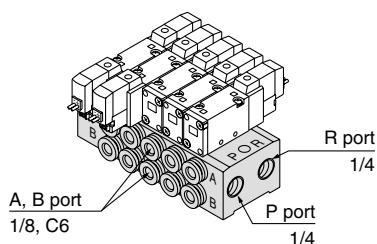
P, R port thread type

Nil	Rc
F	G
N	NPT
T	NPTF

A, B port size

M5	M5 x 0.8
----	----------

Type 42 (5 Port/Base mounted)



How to Order

SS5YJ5-42-05-C6-□

Stations

02	2 stations
:	:
20	20 stations

A, B port size

01	1/8
C6	One-touch fitting for ø6
N7	One-touch fitting for ø1/4"

Thread type

Nil	Rc
F	G
N	NPT
T	NPTF

Applicable solenoid valve

SYJ5□40-□□□□
SYJ5□43-□□□□
SYJ5□50-□□□□
SYJ5□53-□□□□

Applicable blanking plate assembly

SYJ5000-21-1A

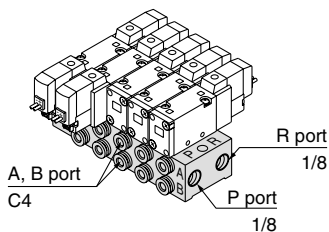
Applicable individual EXH spacer assembly

SYJ5000-17-1A

Applicable individual SUP spacer assembly

SYJ5000-16-2A

Type 43 (5 Port/Base mounted)



How to Order

SS5YJ5-43-05-C4-□

Stations

02	2 stations
:	:
20	20 stations

A, B port size

C4	One-touch fitting for ø4
N3	One-touch fitting for ø5/32"

P, R port thread type

Nil	Rc
F	G
N	NPT
T	NPTF

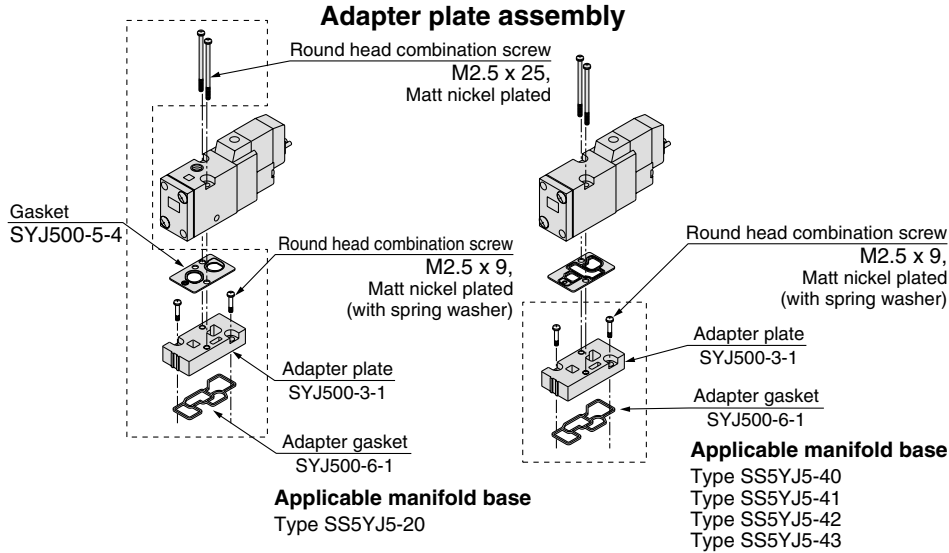
Applicable individual SUP spacer assembly

ARBYJ5000-00-P

5 Port Solenoid Valve Rubber Seal Series SYJ5000

Mix Installation of the SYJ500 and the SYJ5000 Valves on the Same Manifold

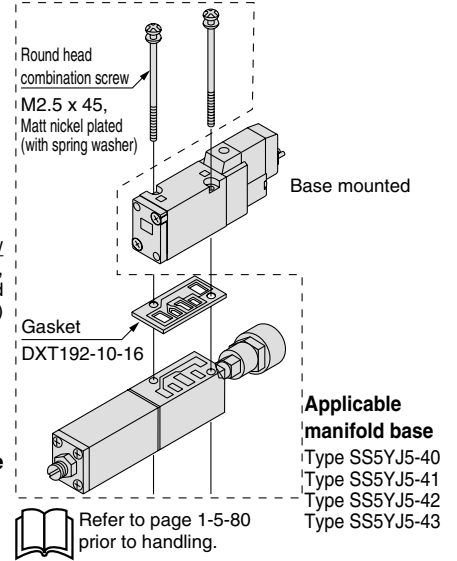
- Use of an adapter plate makes it possible to mount Series SYJ500 on the manifold bases of series SYJ5000.
- When mounting the SYJ500 valve on the SYJ5000 manifold, the SYJ500 solenoid must be positioned on the same side of the manifold as a single solenoid SYJ500. (Refer to the figure below.)
- For base mounted style, the A port of the 3 port valve flows out the B port of manifold base.



Interface Regulator (P port regulation)

Spacer type regulating valve on manifold block can regulate the pressure to the valve individually.

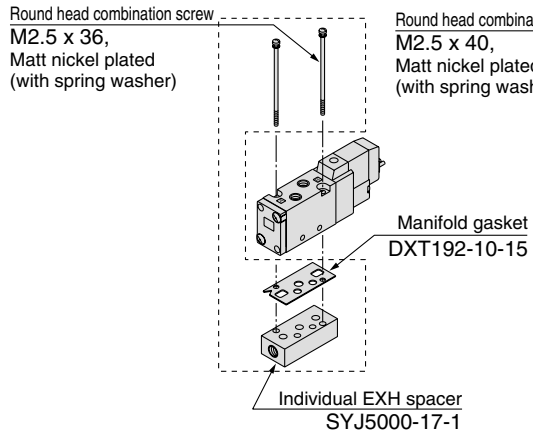
ARBYJ5000-00-P



- SV
- SZ
- SY
- SYJ
- SX

Individual EXH Spacer Assembly

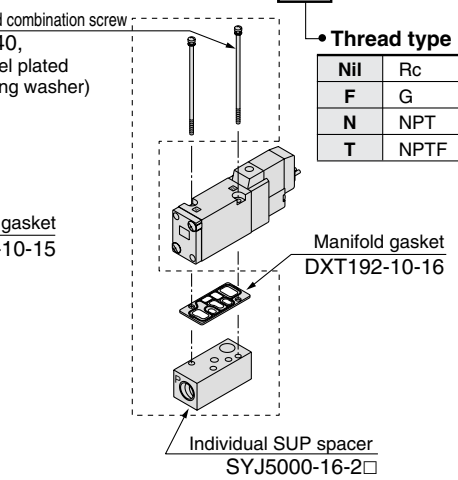
SYJ5000-17-1A



Applicable manifold base
Type SS5YJ5-20
Type SS5YJ5-40
Type SS5YJ5-41
Type SS5YJ5-42
Type SS5YJ5-43

Individual SUP Spacer Assembly

SYJ5000-16-2



Thread type

Nil	Rc
F	G
N	NPT
T	NPTF

Applicable manifold base
Type SS5YJ5-41
Type SS5YJ5-42
Type SS5YJ5-43

⚠ Caution

Mounting screw tightening torques

M2.5: 0.45 N·m

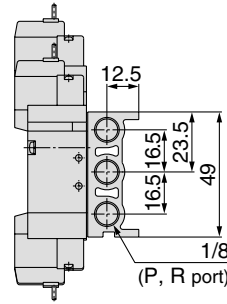
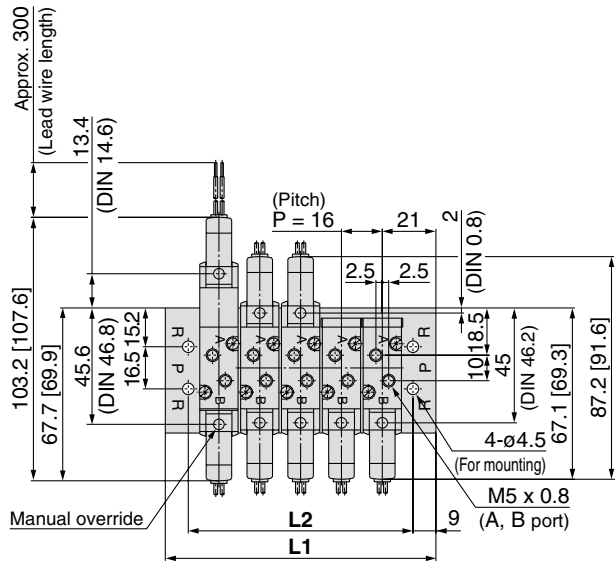
Use caution to the assembly orientation for solenoid valves, gasket, and optional parts.

Series SYJ5000

Type 20: Top Ported/SS5YJ5-20- Stations -00□

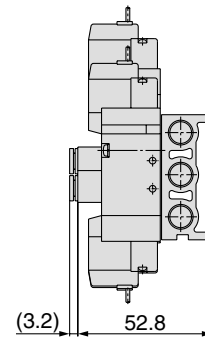
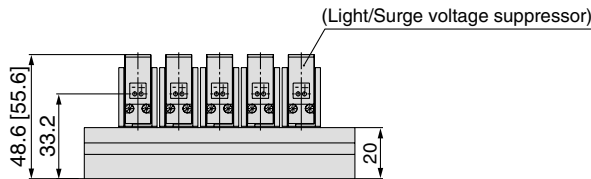


Grommet (G)



Built-in One-touch fitting

(Station n)----- (Station 1)

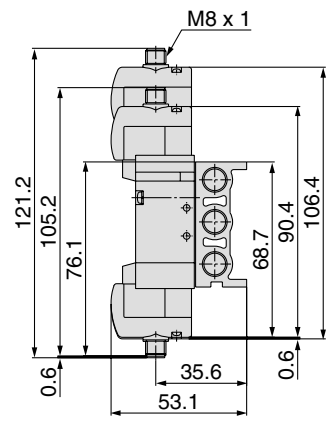
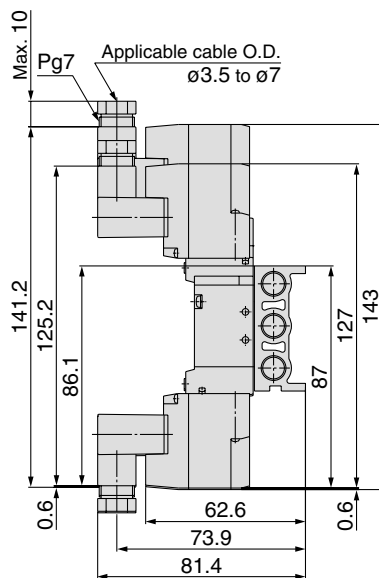
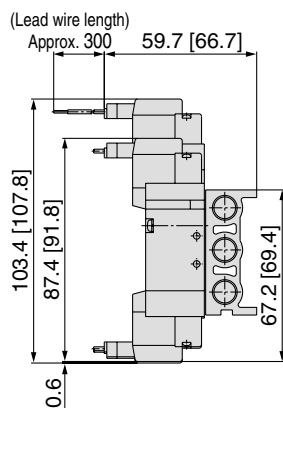
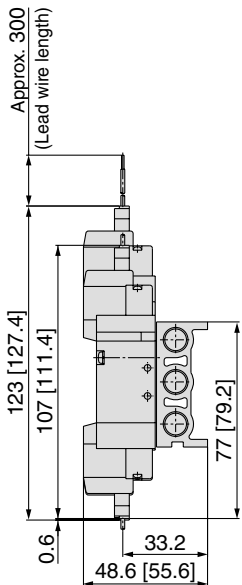


L plug connector (L)

M plug connector (M)

DIN terminal (D)

M8 connector (WO)



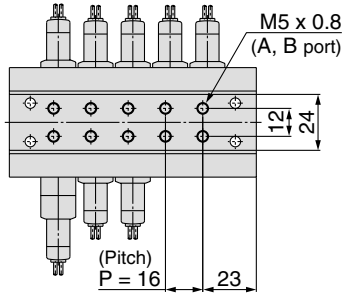
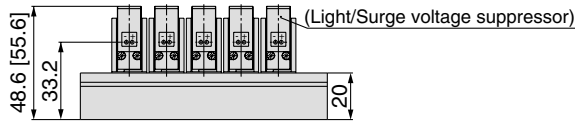
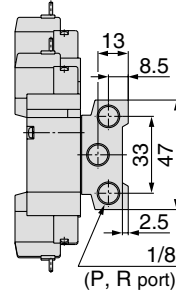
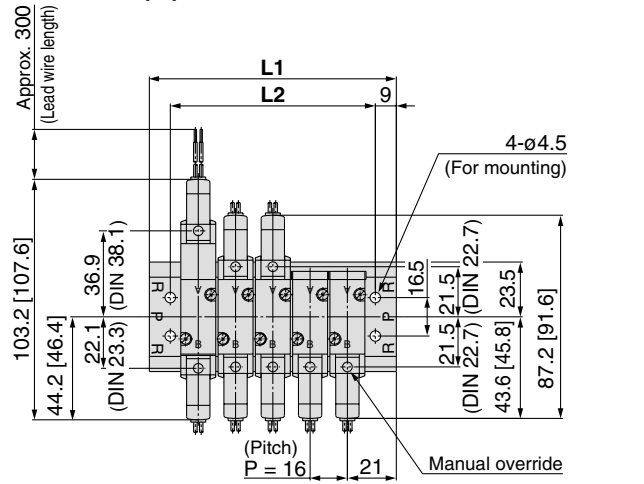
Refer to page 1-5-79 for dimensions with connector cable.

Station n	Station 2	3	4	5	6	7	8	9	10	11	12	13	14	15	16	17	18	19	Station 20
L1	58	74	90	106	122	138	154	170	186	202	218	234	250	266	282	298	314	330	346
L2	40	56	72	88	104	120	136	152	168	184	200	216	232	248	264	280	296	312	328

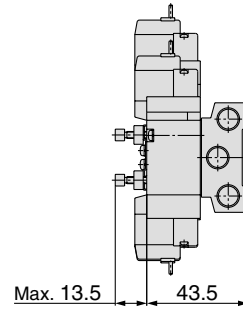
Type 40: Bottom Ported/SS5YJ5-40- Stations -M5□



Grommet (G)



Built-in speed controller

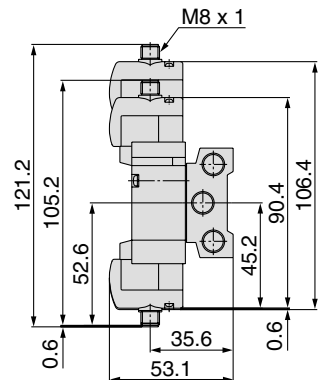
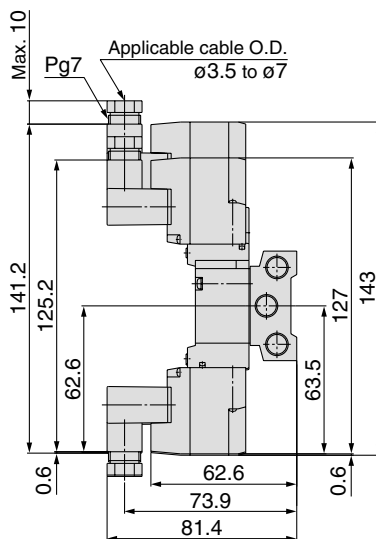
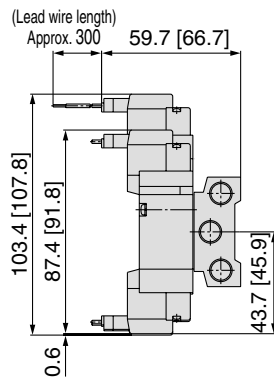
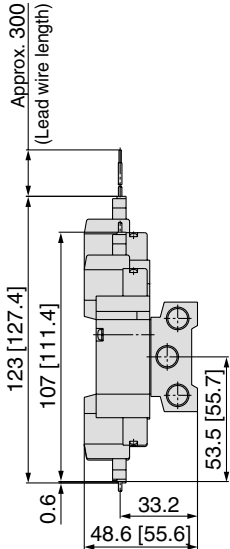


L plug connector (L)

M plug connector (M)

DIN terminal (D)

M8 connector (WO)



Refer to page 1-5-79 for dimensions with connector cable.

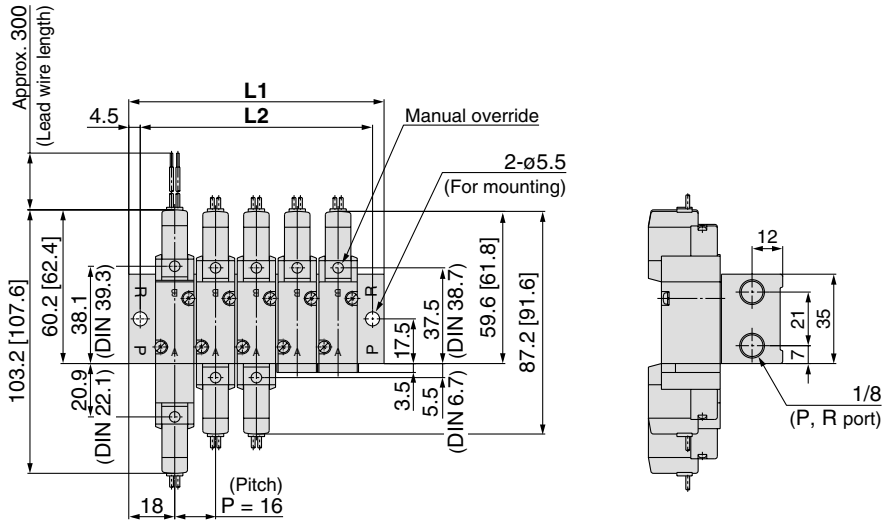
Station n	Station 2	3	4	5	6	7	8	9	10	11	12	13	14	15	16	17	18	19	Station 20
L1	58	74	90	106	122	138	154	170	186	202	218	234	250	266	282	298	314	330	346
L2	40	56	72	88	104	120	136	152	168	184	200	216	232	248	264	280	296	312	328

Series SYJ5000

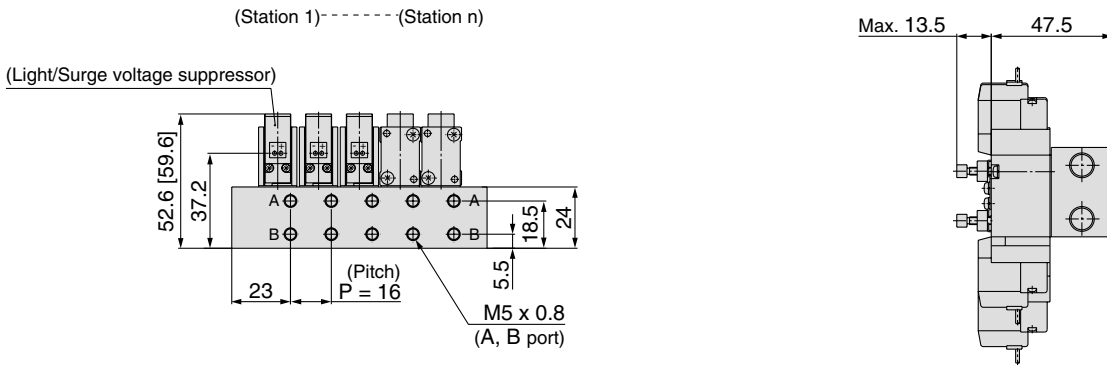
Type 41: Side Ported/SS5YJ5-41- Stations -M5□



Grommet (G)



Built-in speed controller

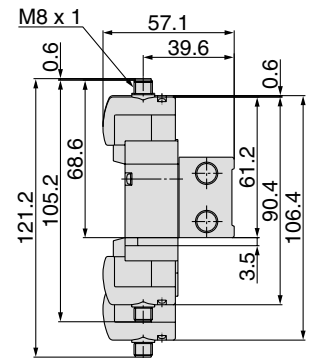
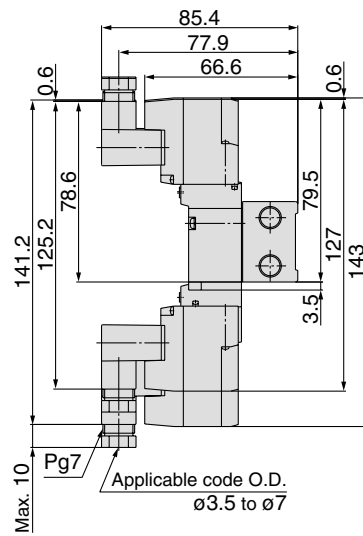
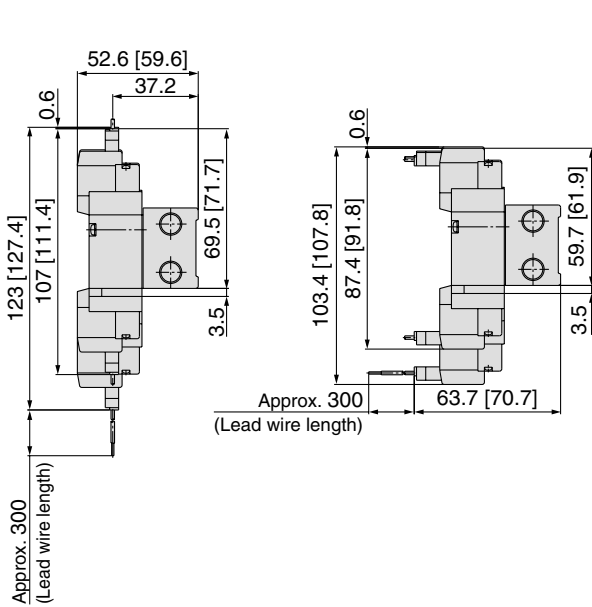


L plug connector (L)

M plug connector (M)

DIN terminal (D)

M8 connector (WO)



Refer to page 1-5-79 for dimensions with connector cable.

Station n	Station 2	3	4	5	6	7	8	9	10	11	12	13	14	15	16	17	18	19	Station 20
L1	52	68	84	100	116	132	148	164	180	196	212	228	244	260	276	292	308	324	340
L2	43	59	75	91	107	123	139	155	171	187	203	219	235	251	267	283	299	315	331

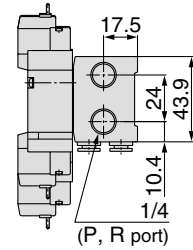
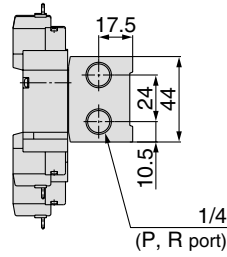
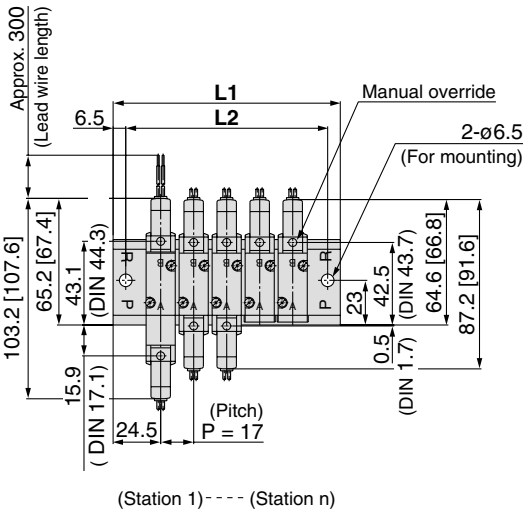
5 Port Solenoid Valve Rubber Seal Series SYJ5000

Type 42: Side Ported/SS5YJ5-42- Stations -01, C6 N7

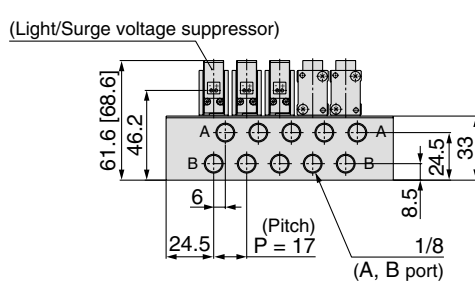


Grommet (G)
For 01

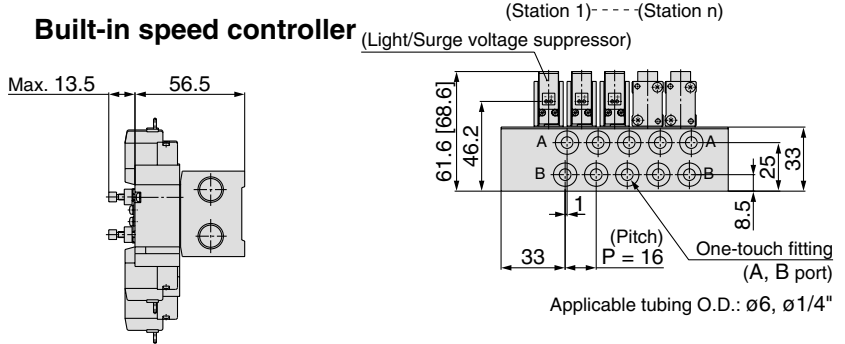
For C6 N7 (Built-in One-touch fitting)



- SV
- SZ
- SY
- SYJ**
- SX



Built-in speed controller



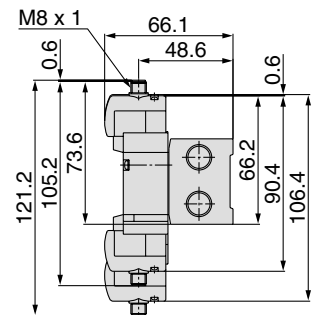
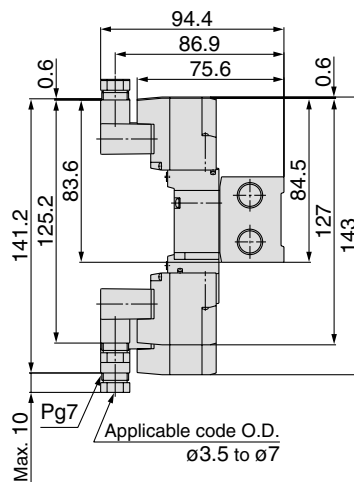
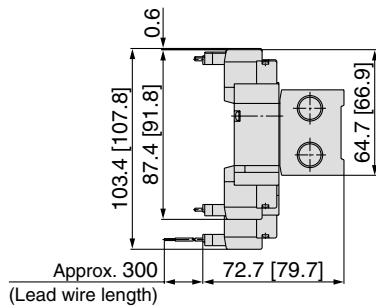
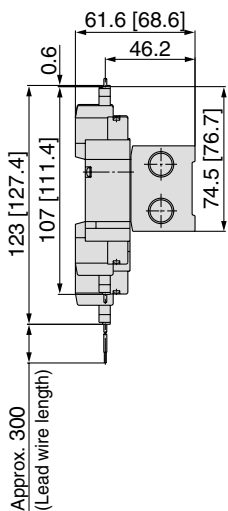
* Other dimensions are the same as the grommet type.

L plug connector (L)

M plug connector (M)

DIN terminal (D)

M8 connector (WO)



Refer to page 1-5-79 for dimensions with connector cable.

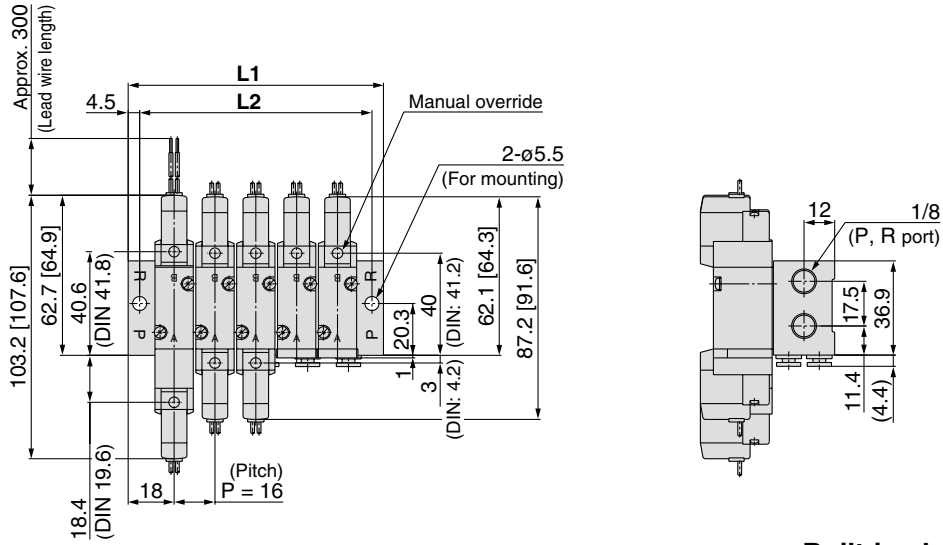
A, B port size	Station n	Station 2	3	4	5	6	7	8	9	10	11	12	13	14	15	16	17	18	19	Station 20
For 1/8	L1	66	83	100	117	134	151	168	185	202	219	236	253	270	287	304	321	338	355	372
	L2	53	70	87	104	121	138	155	172	189	206	223	240	257	274	291	308	325	342	359
For C6/N7	L1	65	81	97	113	129	145	161	177	193	209	225	241	257	273	289	305	321	337	353
	L2	52	68	84	100	116	132	148	164	180	196	212	228	244	260	276	292	308	324	340

Series SYJ5000

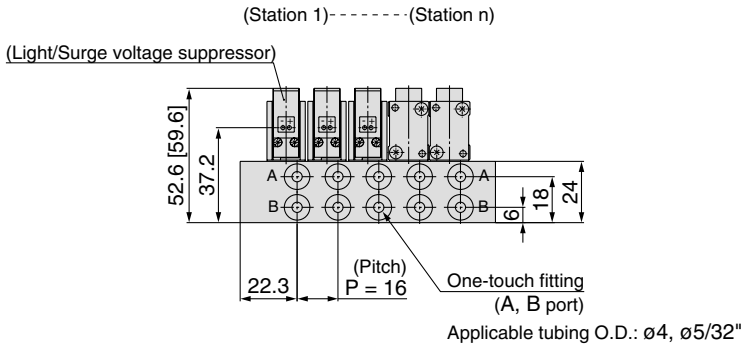
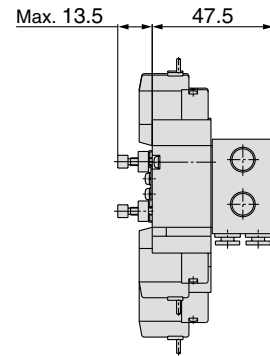
Type 43: Side Ported/SS5YJ3-43- Stations C4 N3



Grommet (G)



Built-in slottle valve

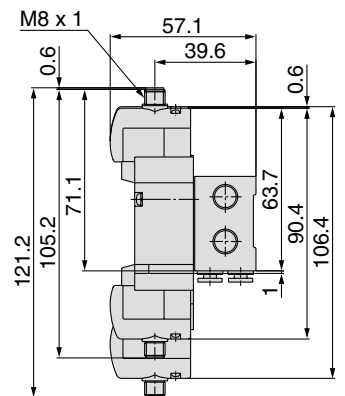
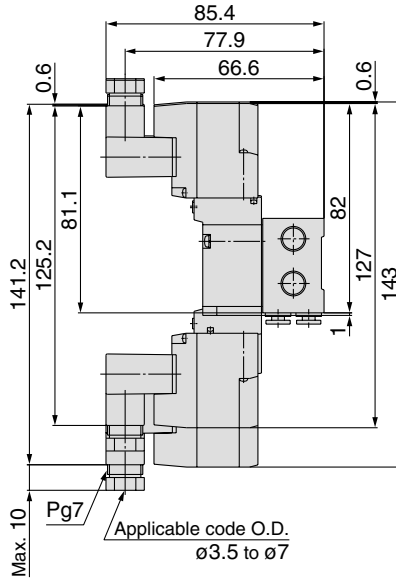
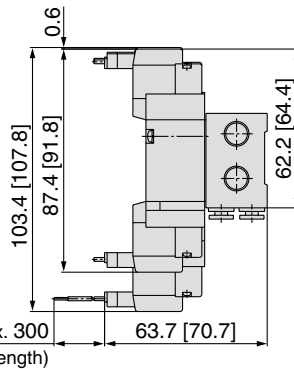
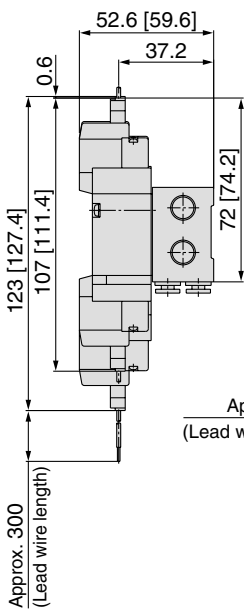


L plug connector (L)

M plug connector (M)

DIN terminal (D)

M8 connector (WO)



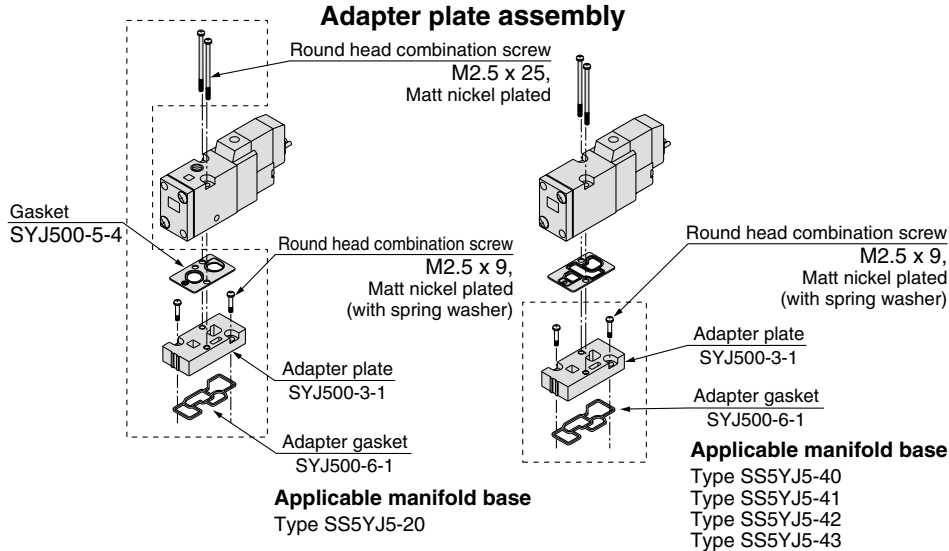
Refer to page 1-5-79 for dimensions with connector cable.

Station n	Station 2	3	4	5	6	7	8	9	10	11	12	13	14	15	16	17	18	19	Station 20
L1	52	68	84	100	116	132	148	164	180	196	212	228	244	260	276	292	308	324	340
L2	43	59	75	91	107	123	139	155	171	187	203	219	235	251	267	283	299	315	331

5 Port Solenoid Valve Rubber Seal Series SYJ5000

Mix Installation of the SYJ500 and the SYJ5000 Valves on the Same Manifold

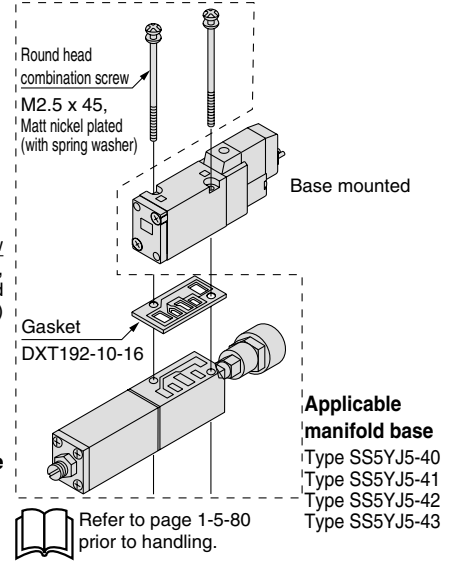
- Use of an adapter plate makes it possible to mount Series SYJ500 on the manifold bases of series SYJ5000.
- When mounting the SYJ500 valve on the SYJ5000 manifold, the SYJ500 solenoid must be positioned on the same side of the manifold as a single solenoid SYJ500. (Refer to the figure below.)
- For base mounted style, the A port of the 3 port valve flows out the B port of manifold base.



Interface Regulator (P port regulation)

Spacer type regulating valve on manifold block can regulate the pressure to the valve individually.

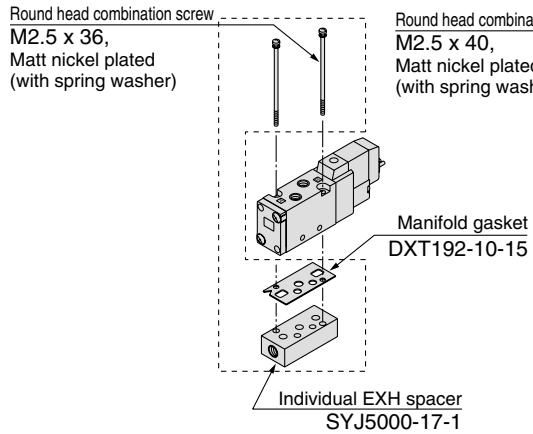
ARBYJ5000-00-P



SV
SZ
SY
SYJ
SX

Individual EXH Spacer Assembly

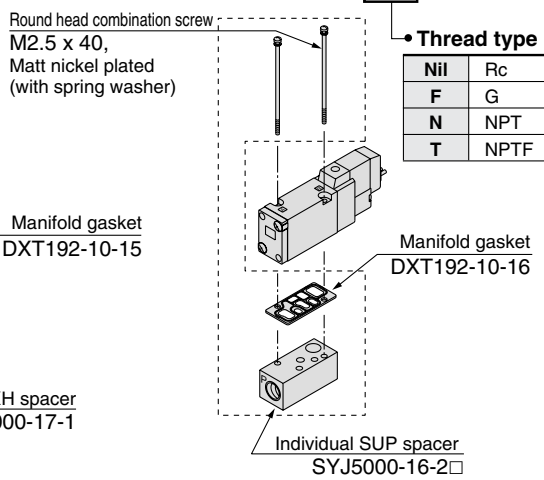
SYJ5000-17-1A



Applicable manifold base
Type SS5YJ5-20
Type SS5YJ5-40
Type SS5YJ5-41
Type SS5YJ5-42
Type SS5YJ5-43

Individual SUP Spacer Assembly

SYJ5000-16-2



Applicable manifold base
Type SS5YJ5-41
Type SS5YJ5-42
Type SS5YJ5-43

⚠ Caution

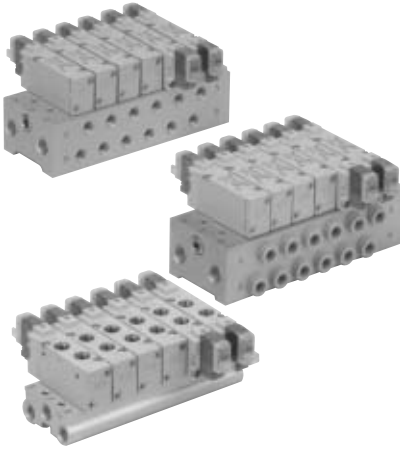
Mounting screw tightening torques

M2.5: 0.45 N·m

Use caution to the assembly orientation for solenoid valves, gasket, and optional parts.

Manifold Specifications

Manifold Standard



Manifold Specifications

Model		Type 20	Type 21	Type 40	Type 20	Type 42
Manifold type		Single base/B mount				
P (SUP), R (EXH)		Common SUP, Common EXH				
Valve stations		2 to 15 stations		2 to 20 stations		
A, B port Porting specifications	Location	Valve		Base	Base	
	Direction	Top		Bottom	Side	
Port size	P, R port	1/8		1/4		
	A, B port	1/8 C6 (One-touch fitting for ø6) C8 (One-touch fitting for ø8)		1/8		C6 (One-touch fitting for ø6) C8 (One-touch fitting for ø8)

SV
SZ
SY
SYJ
SX

Flow Characteristics

Manifold		Port size		Flow characteristics						
				1→4/2 (P→A/B)			4/2→5/3 (A/B→R)			
		1(P), 5/3(R) port	2(B), 4(A) port	C [dm ³ /(s·bar)]	b	Cv	C [dm ³ /(s·bar)]	b	Cv	
Body ported for internal pilot	SS5YJ7-20	SYJ7□2□	1/8	1/8	2.2	0.35	0.57	2.3	0.26	0.55
			1/8	C6	1.4	0.32	0.37	2.0	0.25	0.49
	1/8		C8	1.7	0.38	0.45	2.1	0.25	0.51	
	1/4		1/8	2.1	0.36	0.55	2.3	0.26	0.54	
	1/4		C6	1.4	0.32	0.36	2.1	0.24	0.50	
Base mounted for internal pilot	SS5YJ7-41	SYJ7□4□	1/4	C8	1.8	0.37	0.50	2.1	0.20	0.50
			1/4	1/8	2.1	0.28	0.51	2.5	0.23	0.59
			1/4	1/8	2.0	0.30	0.50	2.2	0.30	0.55
			1/4	C6	1.5	0.32	0.38	2.2	0.23	0.52
	SS5YJ7-42-C6		1/4	C8	1.9	0.24	0.46	2.2	0.26	0.53

Note) Value at manifold base mounted, 2 position single operating

How to Order Manifold (Example)

Instruct by specifying the valves and blanking plate assembly to be mounted on the manifold along with the manifold base model no.

Example: **SS5YJ7-20-03** 1 pc. (Manifold base)
 * **SYJ7120-5G-01** 2 pcs. (Valve)
 * **SYJ7000-21-1A** 1 pc. (Blanking plate assembly)

SS5YJ7-41-03-01 1 pc. (Manifold base)
 * **SYJ7140-5LZ** 1 pc. (Valve)
 * **SYJ7240-5LZ** 1 pc. (Valve)
 * **SYJ7000-21-1A** 1 pc. (Blanking plate assembly)

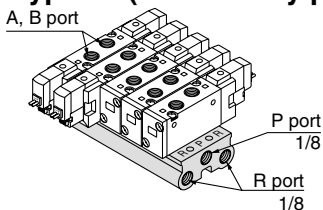
↳The asterisk denotes the symbol for assembly. Prefix it to the part nos. of the solenoid valve, etc.

* Use manifold specification sheet.

5 Port Solenoid Valve Rubber Seal Series SYJ7000

Manifold Standard/ Common SUP/Common EXH

Type 20 (5 Port/Body ported)



How to Order

SS5YJ7-20-05

Stations	
02	2 stations
:	:
15	15 stations

P, R port
thread type

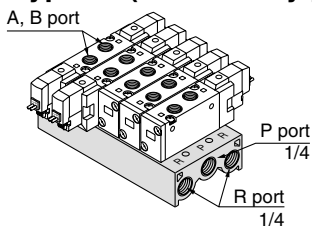
Nil	Rc
00F	G
00N	NPT
00T	NPTF

Applicable solenoid valve

SYJ□20-□□□□-01
C6
C8
SYJ□23-□□□□-01
C6
C8

Note) For more than 6 stations, supply air to both sides of P port and exhaust air from both sides of R port.

Type 21 (5 Port/Body ported)



How to Order

SS5YJ7-21-05

Stations	
02	2 stations
:	:
20	20 stations

P, R port
thread type

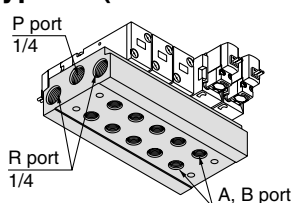
Nil	Rc
00F	G
00N	NPT
00T	NPTF

Applicable blanking
plate assembly
SYJ7000-21-1A

Applicable individual
EXH spacer assembly
SYJ7000-17-1A

Note) For more than stations, supply air to both sides of P port and exhaust air from both sides of R port.

Type 40 (5 Port/Base mounted)



How to Order

SS5YJ7-40-05-01

Stations	
02	2 stations
:	:
20	20 stations

A, B port size

01 1/8

Thread type

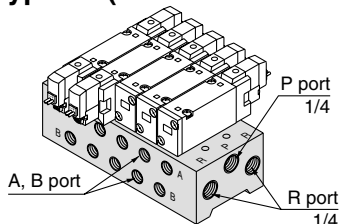
Nil	Rc
F	G
N	NPT
T	NPTF

Applicable solenoid valve

SYJ□40-□□□□
SYJ□43-□□□□

Note) For more than 10 stations, supply air to both sides of P port and exhaust air from both sides of R port.

Type 41 (5 Port/Base mounted)



How to Order

SS5YJ7-41-05-01

Stations	
02	2 stations
:	:
20	20 stations

A, B port size

01 1/8

Thread type

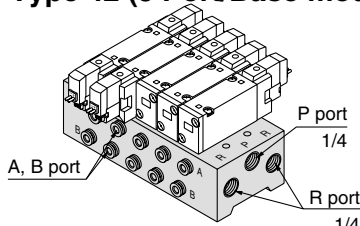
Nil	Rc
F	G
N	NPT
T	NPTF

Applicable blanking
plate assembly
SYJ7000-21-1A

Applicable individual
EXH spacer assembly
SYJ7000-17-2A

Note) For more than 8 stations, supply air to both sides of P port and exhaust air from both sides of R port.

Type 42 (5 Port/Base mounted)



How to Order

SS5YJ7-42-05-C6

Stations	
02	2 stations
:	:
20	20 stations

A, B port size

C6	One-touch fitting for ø6
C8	One-touch fitting for ø8
N7	One-touch fitting for ø1/4"
N9	One-touch fitting for ø5/16"

Thread type

Nil	Rc
F	G
N	NPT
T	NPTF

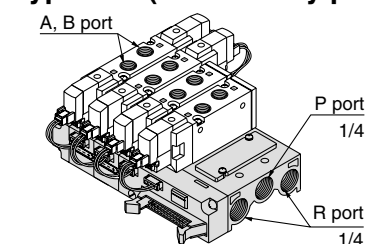
Applicable individual
SUP spacer assembly
SYJ7000-16-2A

Applicable interface
regulator
ARBYJ7000-00-P

Note) For more than stations, supply air to both sides of P port and exhaust air from both sides of R port.

Flat Ribbon Cable Manifold/ Common SUP/Common EXH

Type 21P (5 Port/Body ported)



How to Order

SS5YJ7-21P-05

Stations	
03	3 stations
:	:
12	12 stations

P, R port
thread type

Nil	Rc
F	G
N	NPT
T	NPTF

Applicable solenoid valve
Refer to page 1-5-62.

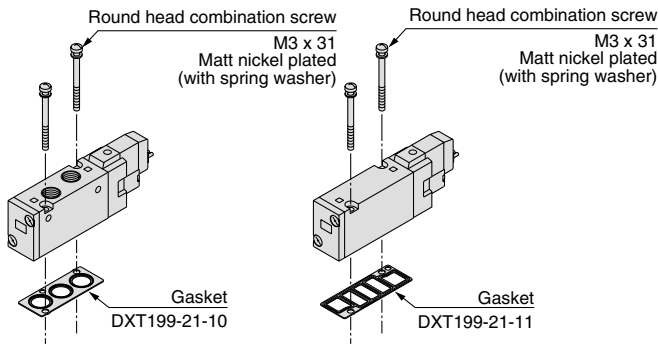
Applicable blanking
plate assembly
SYJ7000-21-3A

Applicable connector
assembly
Refer to page 1-5-62.

Note) For more than 10 stations, supply air to both sides of P port and exhaust air from both sides of R port.

Series SYJ7000

Combinations of Solenoid Valve, Manifold Gasket and Manifold Base



Applicable manifold base
Type SS5YJ7-20
Type SS5YJ7-21

Applicable manifold base Sub-plate
Type SS5YJ7-40
Type SS5YJ7-41
Type SS5YJ7-42

Mix Installation of SYJ700 and SYJ7000 Valves on the Same Manifold

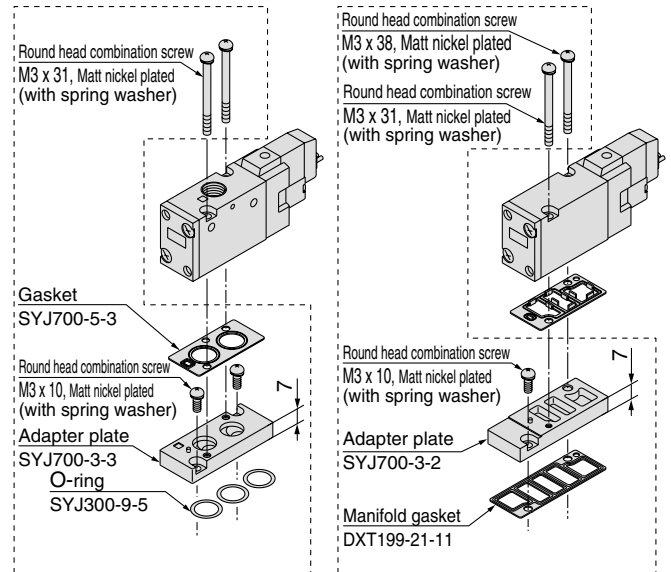
- Use of an adapter plate makes it possible to mount Series SYJ700 on the manifold bases of series SYJ7000.
- When mounting the SYJ700 valve on the SYJ7000 manifold, the SYJ700 solenoid must be positioned on the same side of the manifold as a single solenoid SYJ700. (Refer to the figure below.)
- For base mounted style, the A port of the 3 port valve flows out the B port of manifold base.

Adapter Plate Assembly SYJ700-3-1A

SYJ700 Series
Body ported

Adapter Plate Assembly SYJ700-3-2A

SYJ700 Series
Base mounted



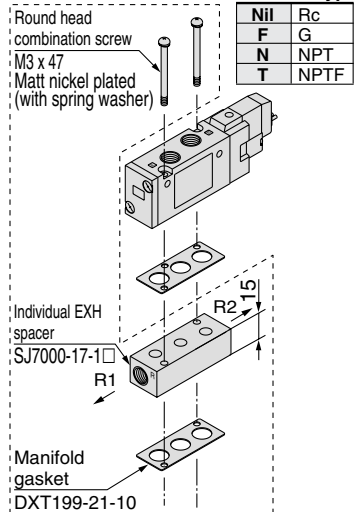
Applicable manifold base
Type SS5YJ7-20
Type SS5YJ7-21

Applicable manifold base
Type SS5YJ7-40
Type SS5YJ7-41
Type SS5YJ7-42

Individual EXH Spacer Assembly

SYJ7000-17-1 □ A

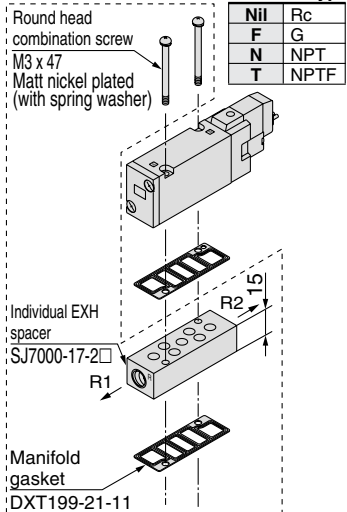
• Thread type



Applicable manifold base
Type SS5YJ7-20
Type SS5YJ7-21

SYJ7000-17-2 □ A

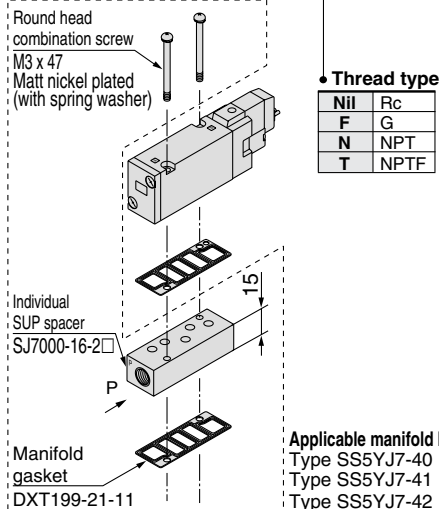
• Thread type



Applicable manifold base
Type SS5YJ7-40
Type SS5YJ7-41
Type SS5YJ7-42

Individual SUP Spacer Assembly

SYJ7000-16-2 □ A



• Thread type

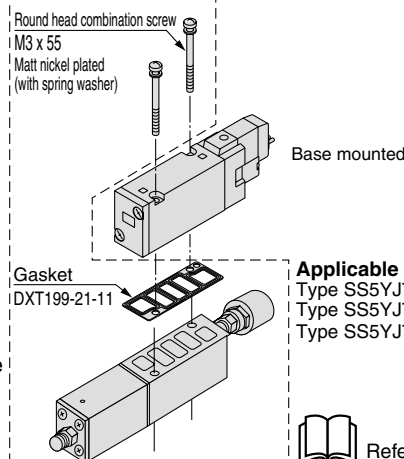
Nil	Rc
F	G
N	NPT
T	NPTF

Applicable manifold base
Type SS5YJ7-40
Type SS5YJ7-41
Type SS5YJ7-42

Interface Regulator (P port regulation)

Spacer type regulating valve on manifold block can regulate the pressure to the valve individually.

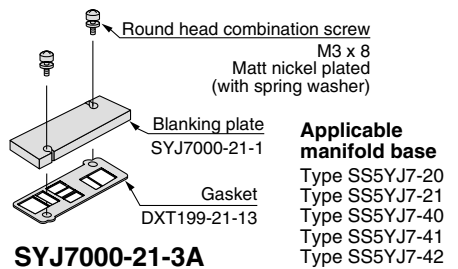
ARBYJ7000-00-P



Applicable manifold base
Type SS5YJ7-40
Type SS5YJ7-41
Type SS5YJ7-42

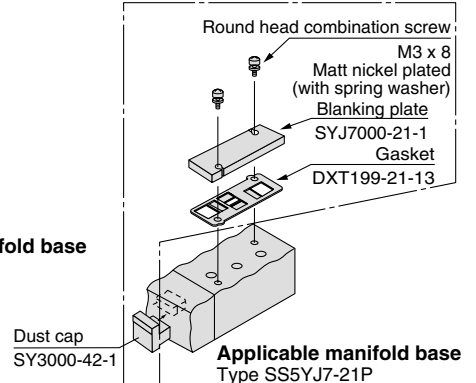
L Blanking Plate Assembly

SYJ7000-21-1A



Applicable manifold base
Type SS5YJ7-20
Type SS5YJ7-21
Type SS5YJ7-40
Type SS5YJ7-41
Type SS5YJ7-42

SYJ7000-21-3A



Applicable manifold base
Type SS5YJ7-21P

⚠ Caution

Mounting screw tightening torques

M3: 0.8 N·m

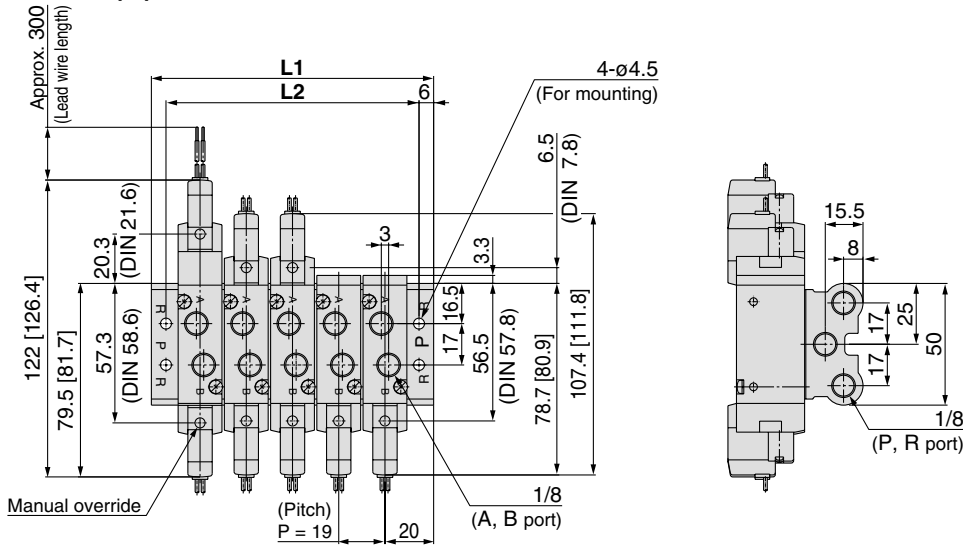
Use caution to the assembly orientation for solenoid valves, gasket, and optional parts.

5 Port Solenoid Valve Rubber Seal Series SYJ7000

Type 20: Top Ported/SS5YJ7-20- Stations -00□

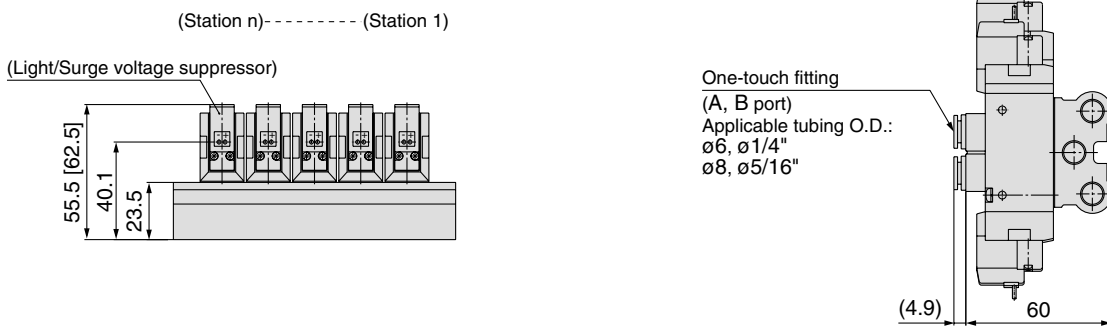


Grommet (G)



- SV
- SZ
- SY
- SYJ**
- SX

Built-in One-touch fitting

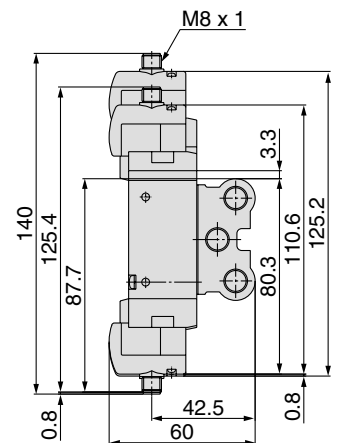
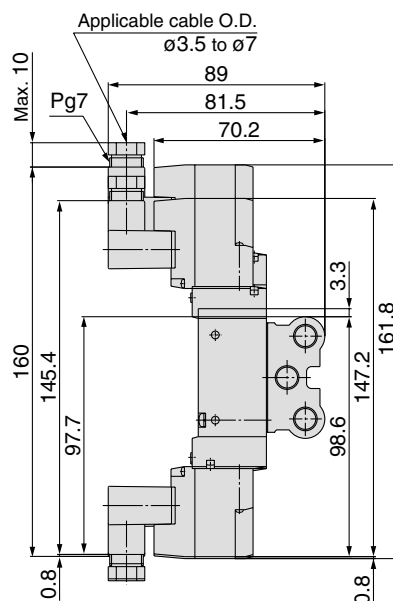
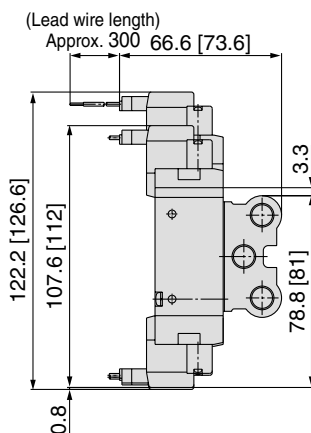
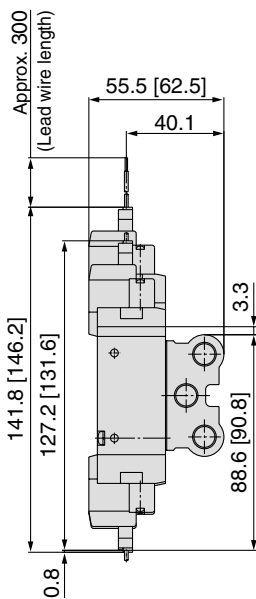


L plug connector (L)

M plug connector (M)

DIN terminal (D)

M8 connector (WO)



Refer to page 1-5-79 for dimensions with connector cable.

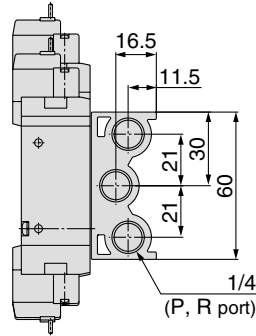
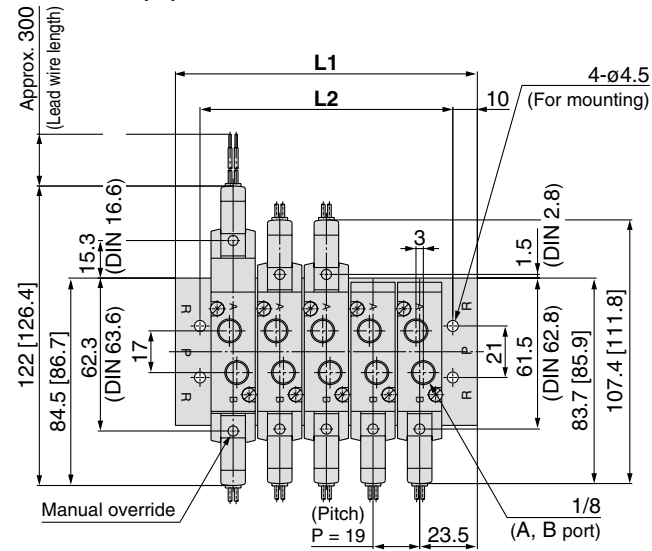
Station n	Station 2	3	4	5	6	7	8	9	10	11	12	13	14	Station 15
L1	59	78	97	116	135	154	173	192	211	230	249	268	287	306
L2	47	66	85	104	123	142	161	180	199	218	237	256	275	294

Series SYJ7000

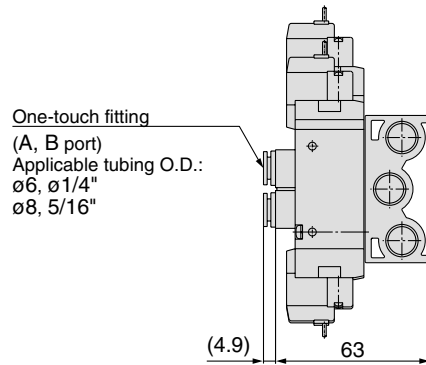
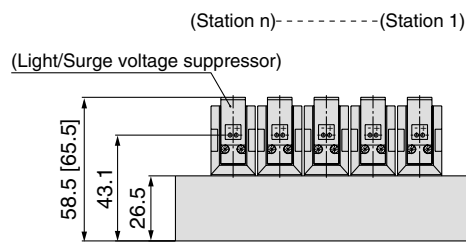
Type 21: Top Ported/SS5YJ7-21- Stations (-00□)



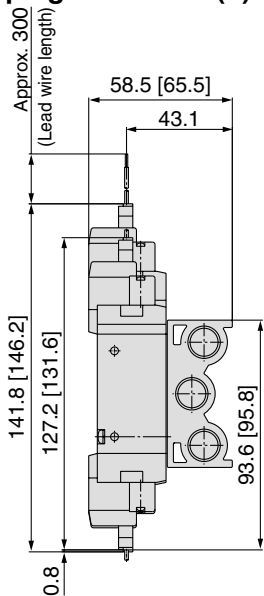
Grommet (G)



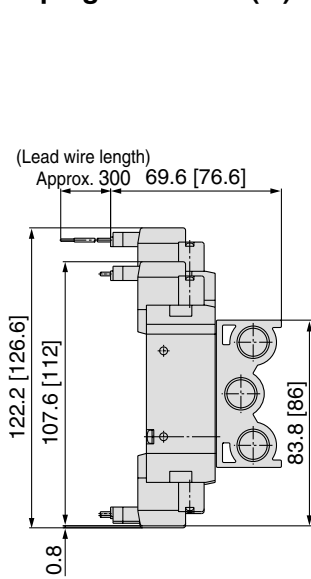
Built-in One-touch fitting



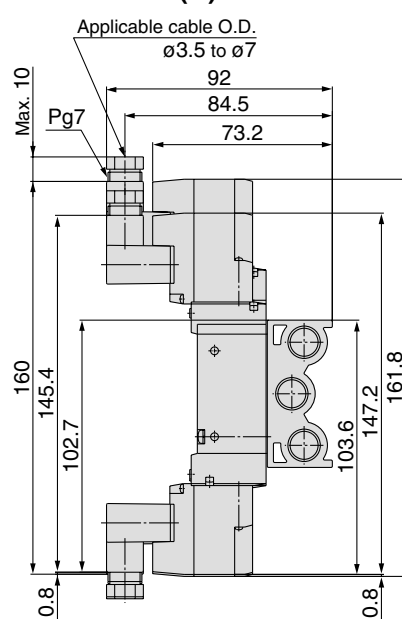
L plug connector (L)



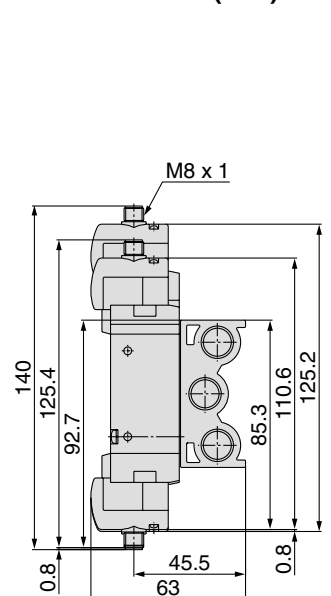
M plug connector (M)



DIN terminal (D)



M8 connector (WO)



Refer to page 1-5-79 for dimensions with connector cable.

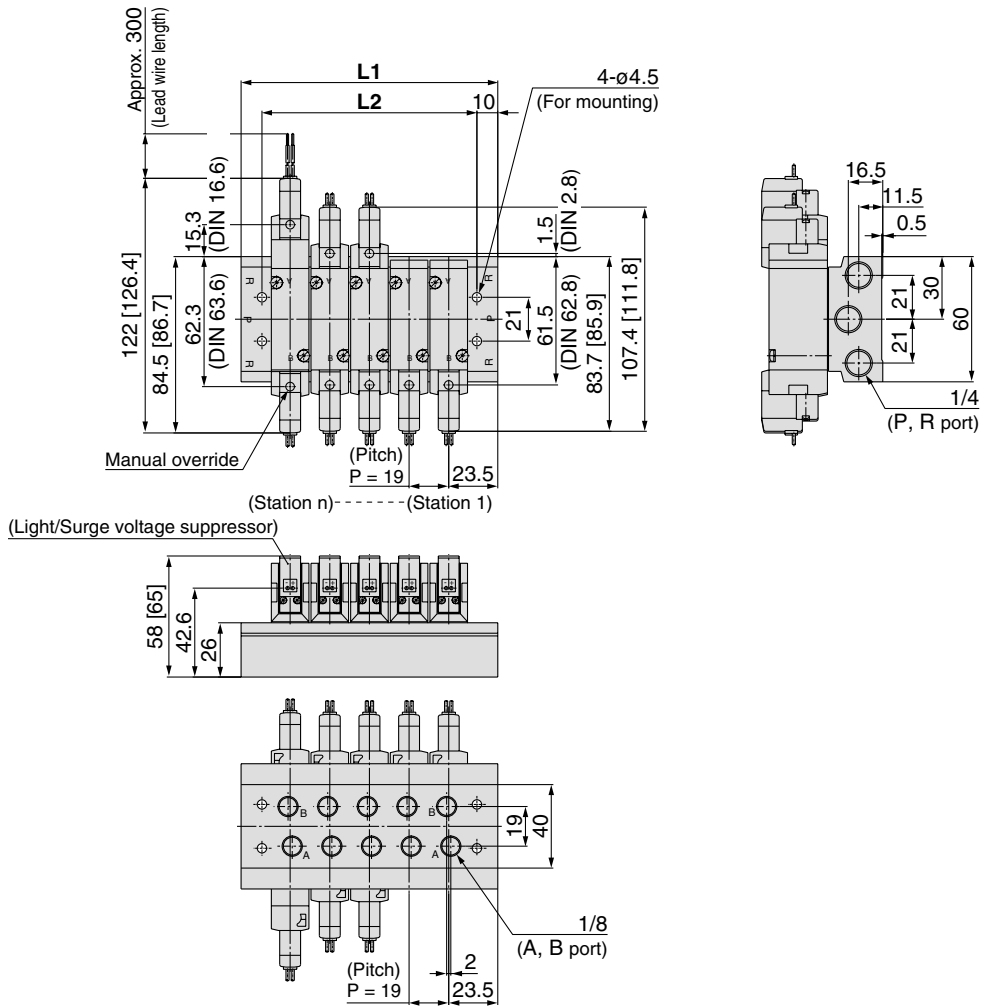
Station n	Station 2	3	4	5	6	7	8	9	10	11	12	13	14	15	16	17	18	19	Station 20
L1	66	85	104	123	142	161	180	199	218	237	256	275	294	313	332	351	370	389	408
L2	46	65	84	103	122	141	160	179	198	217	236	255	274	293	312	331	350	369	388

5 Port Solenoid Valve Rubber Seal Series SYJ7000

Type 40: Bottom Ported/SS5YJ7-40- Stations -01□

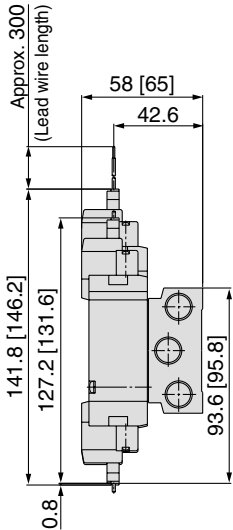


Grommet (G)

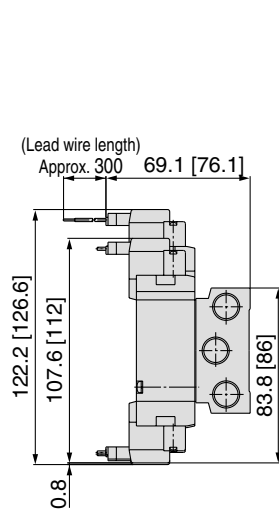


- SV
- SZ
- SY
- SYJ**
- SX

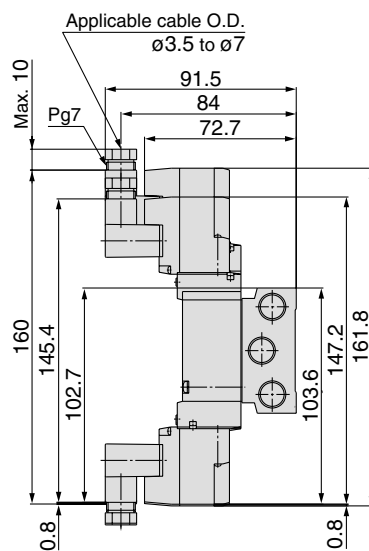
L plug connector (L)



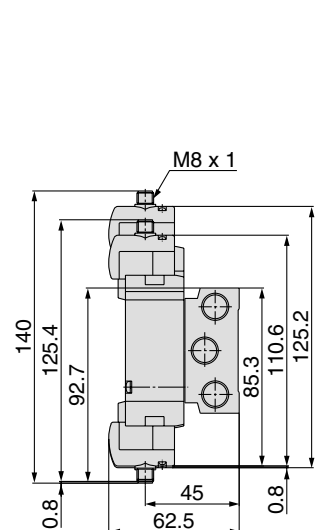
M plug connector (M)



DIN terminal (D)



M8 connector (WO)



Refer to page 1-5-79 for dimensions with connector cable.

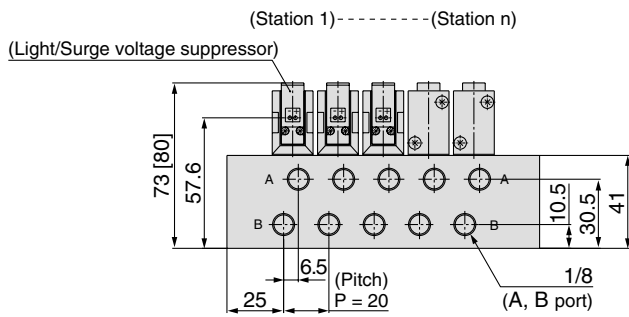
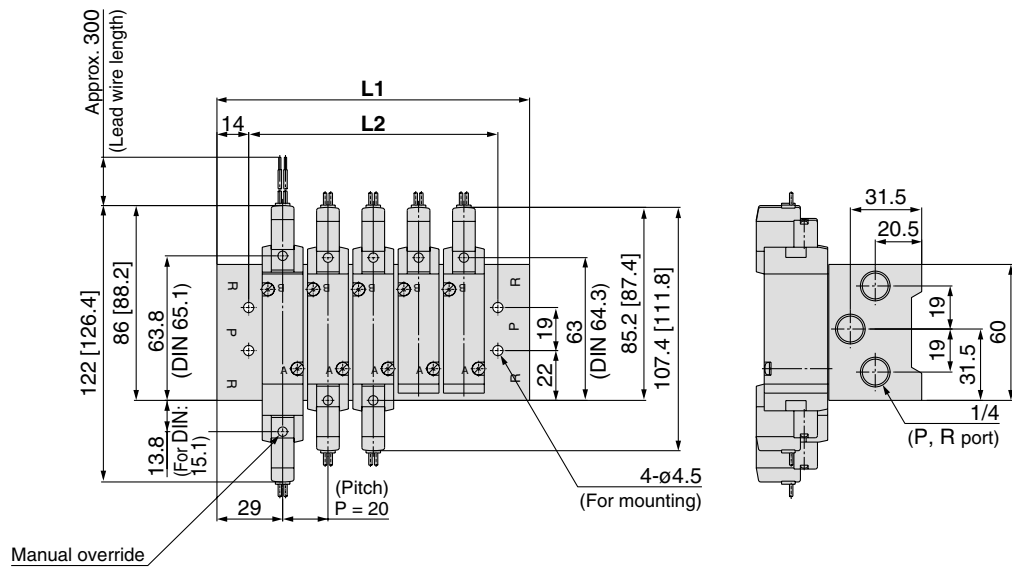
Station n	Station 2	3	4	5	6	7	8	9	10	11	12	13	14	15	16	17	18	19	Station 20
L1	66	85	104	123	142	161	180	199	218	237	256	275	294	313	332	351	370	389	408
L2	46	65	84	103	122	141	160	179	198	217	236	255	274	293	312	331	350	369	388

Series SYJ7000

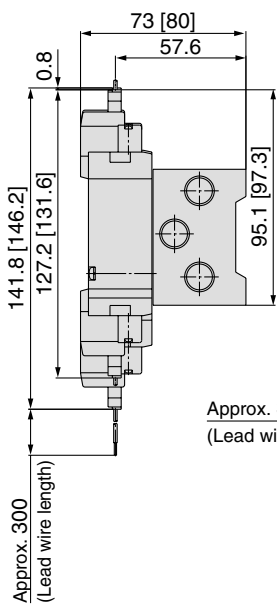
Type 41: Side Ported/SS5YJ7-41- Stations -01 □



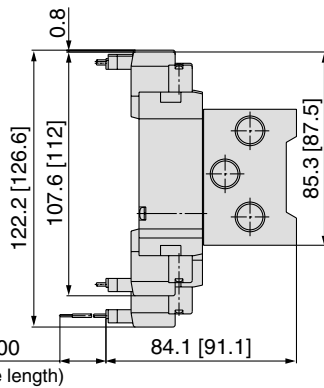
Grommet (G)



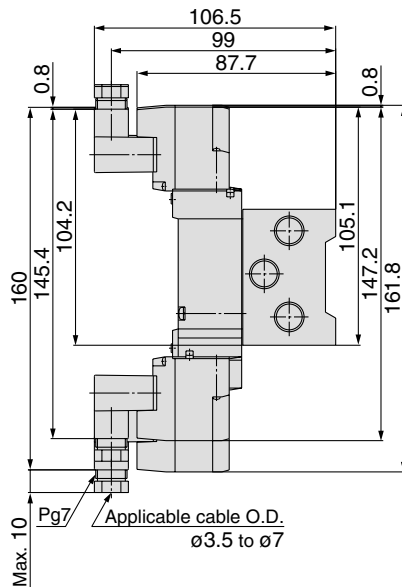
L plug connector (L)



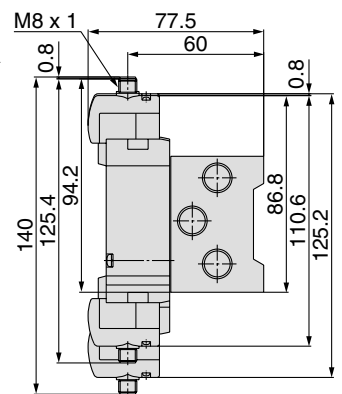
M plug connector (M)



DIN terminal (D)



M8 connector (WO)



Refer to page 1-5-79 for dimensions with connector cable.

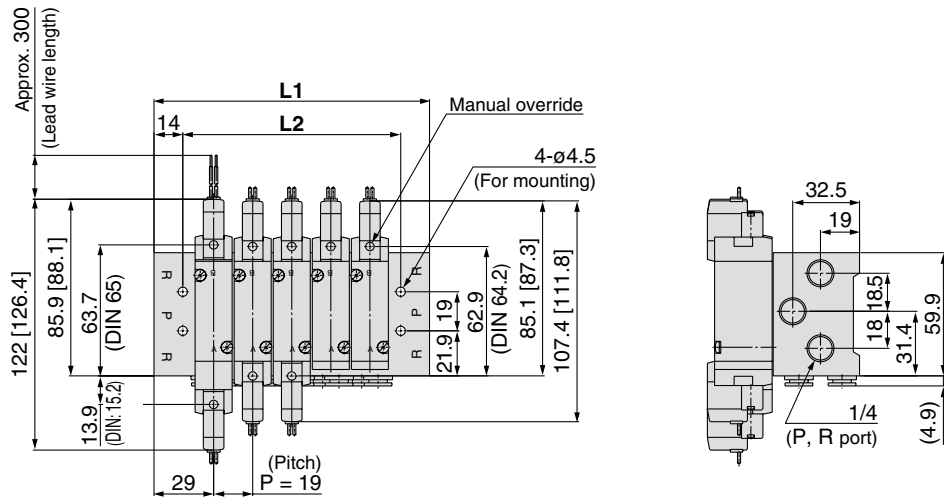
Station n	Station 2	3	4	5	6	7	8	9	10	11	12	13	14	15	16	17	18	19	Station 20
L1	78	98	118	138	158	178	198	218	238	258	278	298	318	338	358	378	398	418	438
L2	50	70	90	110	130	150	170	190	210	230	250	270	290	310	330	350	370	390	410

5 Port Solenoid Valve Rubber Seal Series SYJ7000

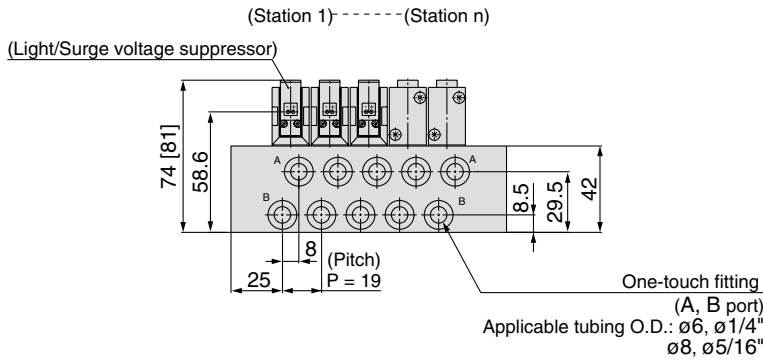
Type 42: Side Ported/SS5YJ7-42- Stations C6,N7
 C8,N9



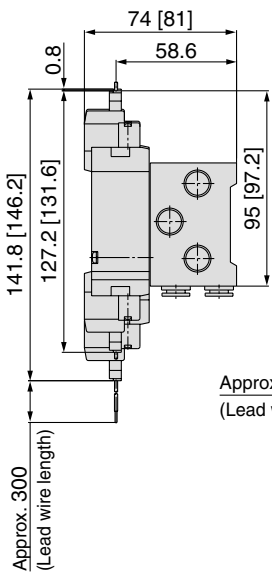
Grommet (G)



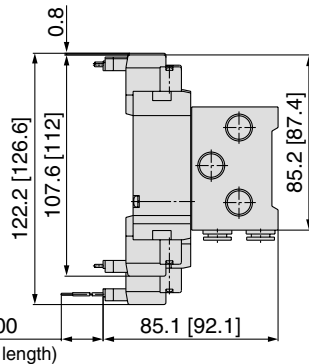
- SV
- SZ
- SY
- SYJ**
- SX



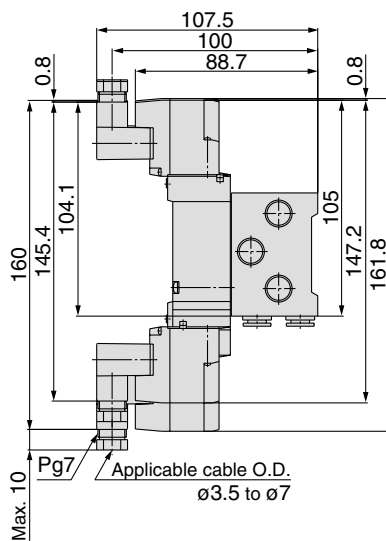
L plug connector (L)



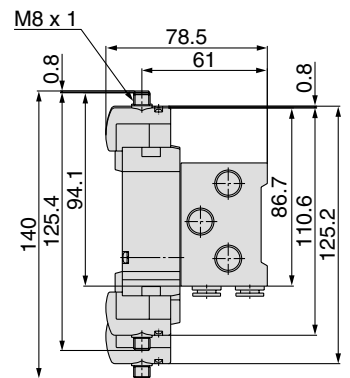
M plug connector (M)



DIN terminal (D)



M8 connector (WO)



Refer to page 1-5-79 for dimensions with connector cable.

Station n	Station 2	3	4	5	6	7	8	9	10	11	12	13	14	15	16	17	18	19	Station 20
L1	77	96	115	134	153	172	191	210	229	248	267	286	305	324	343	362	381	400	419
L2	49	68	87	106	125	144	163	182	201	220	239	258	277	296	315	334	353	372	391