

Miniature Limit Switch  
**D4CC-4060**

General-purpose Limit switches, General load, IP67, SPDT, Center roller lever, LED, Front mounting



Image

|                      |                                |
|----------------------|--------------------------------|
| Shape/Structure      | General-purpose Limit switches |
| Actuator             | Center roller lever            |
| Electrical ratings   | 1 A at 30 VDC                  |
| Contact form         | SPDT                           |
| Degree of protection | IP67                           |

Ratings / Performance

As of April 9, 2020

|                                  |   |
|----------------------------------|---|
| Shape/Structure                  | General-purpose Limit switches  |
| Actuator                         | Center roller lever 17.5 dia. x 7<br>Stainless steel roller   |
| Electrical ratings               | 1 A at 30 VDC   |
| Contact form                     | SPDT  |
| Load                             | General load  |
| Ratings (DC): Non-Inductive load | Resistive load: 1 A at 30 VDC<br>Lamp load: 1 A at 30 VDC<br>Inductive load: 1 A at 30 VDC<br>Motor load: 1 A at 30 VDC |
| Inrush current                   | NC: 5 A max.<br>NO: 2.5 A max.  |
| Indicator                        | LED, Light when not operating<br>30 VDC<br>Leakage current: Approx. 1 mA  |
| Ambient temperature              | Operating: -10 to 70 °C (with no icing)   |
| Ambient humidity                 | 35 to 95% RH  |

|                                    |   |
|------------------------------------|---|
| Permissible operating frequency    | Electrical: 30 operations / 1 minute max.<br>Mechanical: 120 operations / 1 minute max.   |
| Contact resistance (Initial value) | 100 mΩ max.   |
| Insulation resistance              | 100 MΩ min. (at 500 VDC)  |
| Dielectric strength                | Between each terminal of the same polarities: 1,000 VAC 50/60 Hz 1 min<br>Between live-metallic part and ground: 1,500 VAC 50/60 Hz 1 min |

|                             |  |
|-----------------------------|--|
|                             | Between each terminal and non-live-metallic part: 1,500 VAC 50/60 Hz 1 min                     |
| <b>Durability</b>           | Electrical: 200,000 operations min. (1 A at 125 VAC)<br>Mechanical: 10 million operations min. |
| <b>Vibration resistance</b> | Malfunction: 10 to 55 Hz, 1.5 mm double amplitude  |
| <b>Shock resistance</b>     | Destruction: 1,000 m/s <sup>2</sup> max.<br>Malfunction: 500 m/s <sup>2</sup> max.             |
| <b>Degree of protection</b> | IP67   |

|                                   |                            |
|-----------------------------------|----------------------------|
| <b>Operating Force (OF)</b>       | Standard value 6.67 N max. |
| <b>Release Force (RF)</b>         | Standard value 1.47 N min. |
| <b>Pre-Travel (PT)</b>            | Standard value 10±3 °      |
| <b>Movement Differential (MD)</b> | Standard value 3 ° max.    |
| <b>Over-Travel (OT)</b>           | Standard value 50 ° min.   |

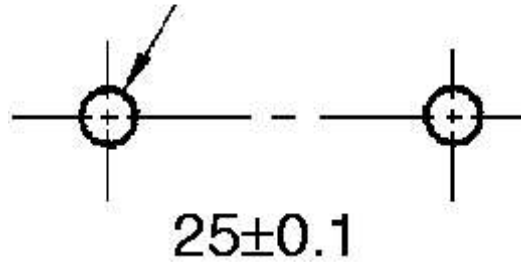
As of April 9, 2020

### Dimensions

As of April 9, 2020

Mounting hole dimensions

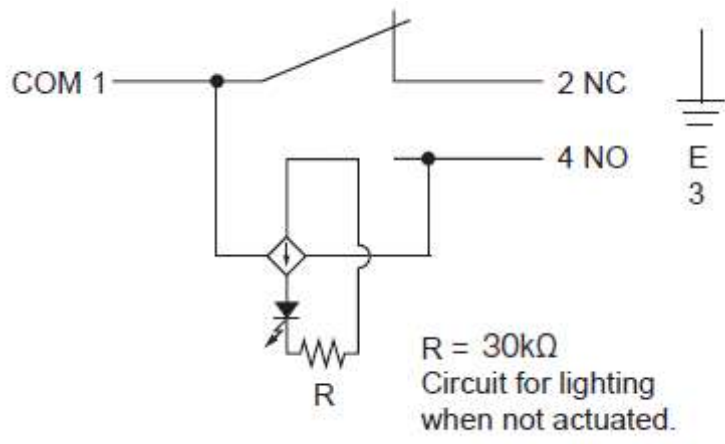
**Two, 5.2-dia. or  
M5 screw holes**



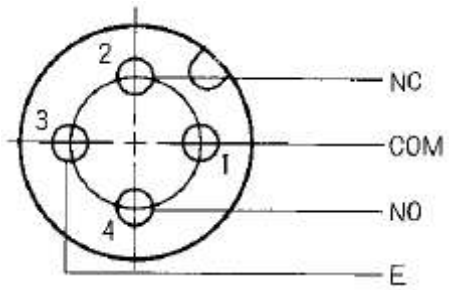
As of April 9, 2020

### Circuits configuration

As of April 9, 2020



Connector pin arrangement



As of April 9, 2020