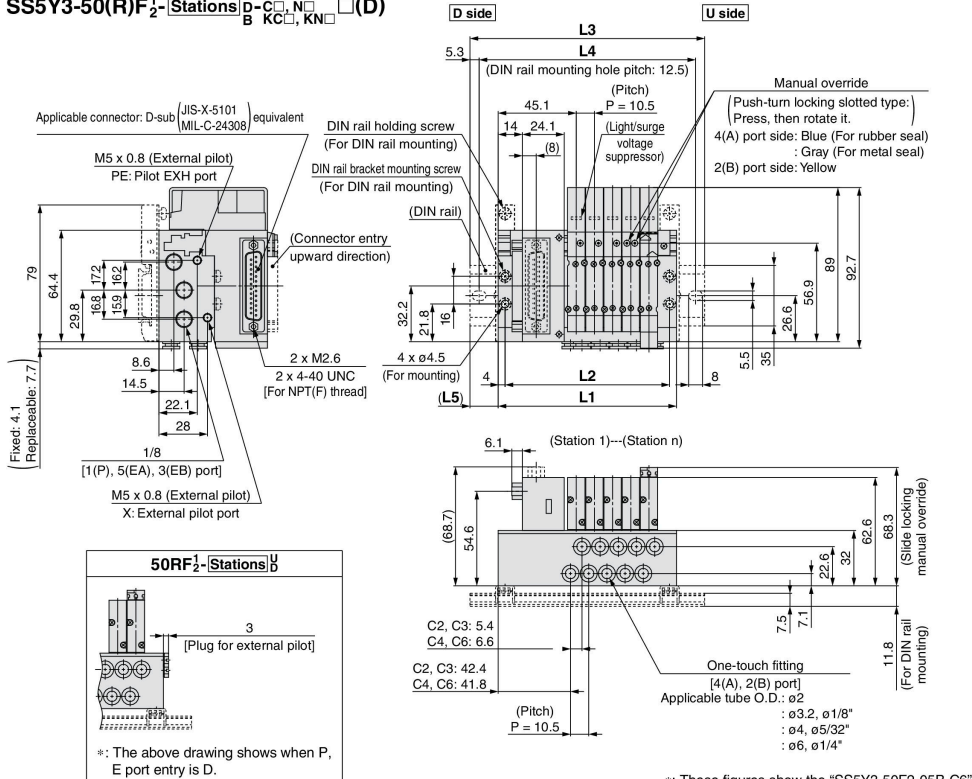


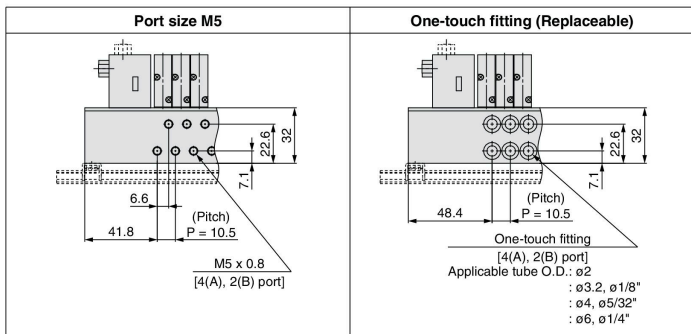
Plug-in Metal Base Type 50/Side Ported D-sub Connector

Dimensions: SY3000 Series

SS5Y3-50(R)F₂-Stations $\frac{U}{D}$ M5 $\frac{D}{B}$ C□, N□, K□ (D)



*: These figures show the "SS5Y3-50F2-05B-C6".



n: Stations	2	3	4	5	6	7	8	9	10	11	12
L1	71.5	82	92.5	103	113.5	124	134.5	145	155.5	166	176.5
L2	63.5	74	84.5	95	105.5	116	126.5	137	147.5	158	168.5
L3	98	110.5	123	135.5	148	160.5	160.5	173	185.5	198	210.5
L4	87.5	100	112.5	125	137.5	150	150	162.5	175	187.5	200
L5	13.5	14.5	15.5	16.5	17.5	18.5	13	14	15	16	17